

PARTS LIST

[XV-M567GD]

* All printed circuit boards and its assemblies are not available as service parts.

Area suffix

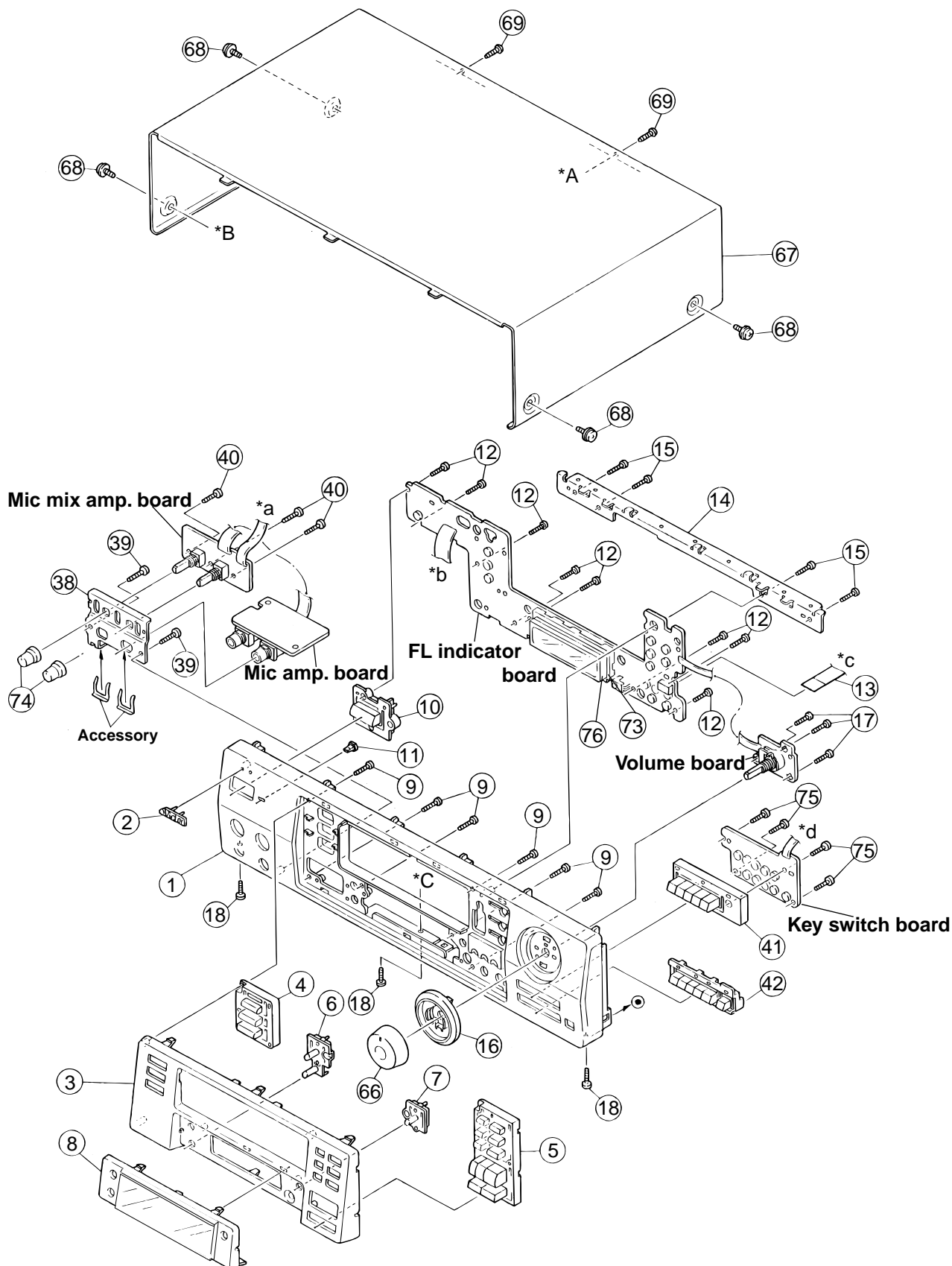
UV ----- VIETNAM

- Contents -

Exploded view of general assembly and parts list	3-2
DVD changer mechanism assembly and parts list	3-6
DVD mechanism assembly and parts list	3-8
Electrical Parts List	3-10
Packing materials and accessories parts list	3-20

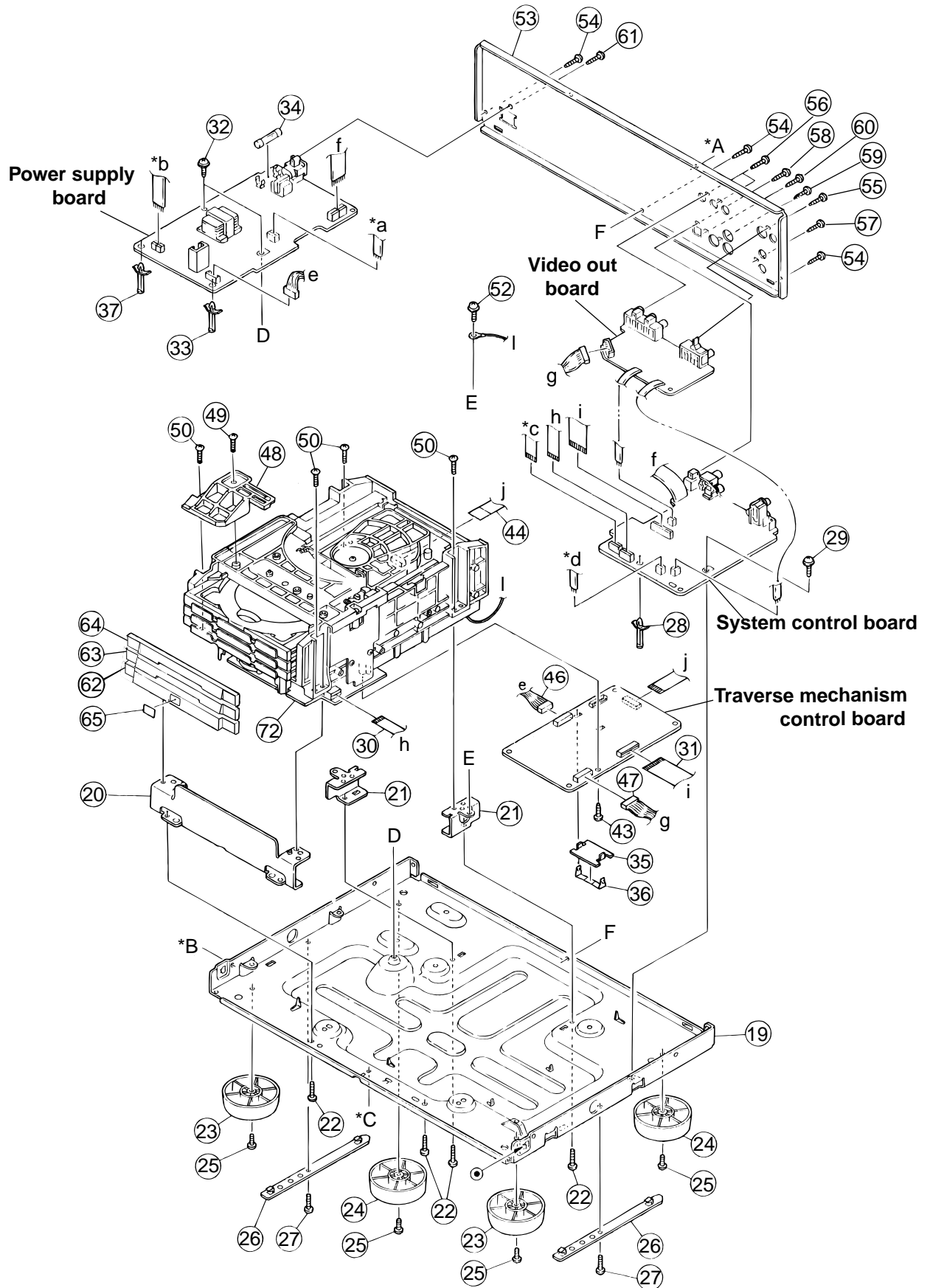
Exploded view of general assembly and parts list (1/2)

Block No. M 1 M M



Exploded view of general assembly and parts list (2/2)

Block No. M 1 M M



■ Parts list (General Assembly 1/2)

Block No. M1MM

△	Item	Parts number	Parts name	Q'ty	Description	Area
	01	LV10244-020A	FRONT PANEL	1		
	02	VJD5429-001SS	JVC MARK	1		
	03	LV10245-003A	CONTROL PANEL	1		
	04	LV31260-002A	PUSH BUTTON	1	KEY CON	
	05	LV20815-002A	P. BUTTON ASSY	1	PLAY	
	06	LV30787-001A	PUSH BUTTON	1		
	07	LV30788-001A	PUSH BUTTON	1	KARAOKE	
	08	LV20817-004A	LENS	1		
	09	QYSDSF2608Z	SCREW	6		
	10	LV32063-004A	PUSH BUTTON	1	POWER	
	11	FSJD4001-002	INDICATOR	1		
	12	QYSDSF2608Z	SCREW	8		
	13	QUQ412-0920CM	FFC WIRE	1	CN801 TO CN703	
	14	LV31375-001A	FRONT BRACKET	1		
	15	QYSDSF2608Z	SCREW	4		
	16	LV31163-005A	SHUTTLE RING	1		
	17	QYSDSF2608Z	SCREW	3		
	18	QYSDSG3008N	T.SCREW	3	F.P-CHASSIS	
	19	E103006-007SM	CHASSIS BASE	1		
	20	LV31373-001A	MECHA.BKT(F)	1	FRONT	
	21	LV31374-001A	MECHA BKT(R)	2	REAR	
	22	QYSBST3008Z	T.SCREW	4	MECHA BKT	
	23	QZF6018-001	FOOT	2		
	24	QZF6018-001	FOOT	2	REAR	
	25	QYSBST3008Z	T.SCREW	4	FOOT	
	26	LV31244-002A	SPACER	2		
	27	QYSDSG3008M	SCREW	2		
	28	E310244-002	FASTENER	1	AUDIO CB	
	29	QYSBSGG3008E	T.SCREW	1	AUDIO CB	
	30	QUQ412-1020CM	FFC WIRE	1		
	31	QUQ110-2316AM	FFC WIRE	1		
	32	QYSBSGG3008E	T.SCREW	2		
	33	E310244-002	FASTENER	1		
	34	QMF51E2-1R6-J1	FUSE	1	F901	
	35	LV41362-001A	HEAT SINK	1		
	36	LV41363-002A	HOLDER	1		
	37	E310244-003	FASTNER	1		
	38	LV31358-001A	MIC BRACKET	1		
	39	QYSDSF2608Z	SCREW	2		
	40	QYSDSF2608Z	SCREW	3		
	41	LV20475-003A	PUSH BUTTON	1	10KEY 1	
	42	LV20478-003A	PUSH BUTTON	1	10KEY 2	
	43	QYSBSF3008Z	SCREW	1	MODULE CB	

■ Parts list (General Assembly 2/2)

Block No. M1MM

△	Item	Parts number	Parts name	Q'ty	Description	Area
	44	QUQ105-4010AJ	FFC WIRE	1	FW101	
	46	QJJ015-091406	SIN CR C-C WIRE	1	TO CN961	
	47	QUQ110-0918AM	CARD WIRE	1		
	48	E309662-001SM	DISC STOPPER	1		
	49	QYSBSF3008Z	SCREW	1		
	50	QYSBST3008Z	T.SCREW	4	C3 MECHA	
	52	QYSBSGG3008E	T.SCREW	1		
	53	LV20821-023A	REAR PANEL	1		
	54	QYSBSGY3008E	SPECIAL SCREW	3	REAR PANEL	
	55	QYSBSGY3008E	SPECIAL SCREW	1	VIDEO OUT	
	56	QYSBSGY3008E	SPECIAL SCREW	2	AV OUT	
	57	QYSBSGY3008E	SPECIAL SCREW	1	COMPU.LINK	
	58	QYSBSGY3008E	SPECIAL SCREW	1	COAXIAL	
	59	QYSBSGY3008E	SPECIAL SCREW	1		
	60	QYSBSGY3008E	SPECIAL SCREW	1		
	61	QYSBSGY3008E	SPECIAL SCREW	1		
	62	LV20818-004A	FITTING(DISC1)	1	LOWER	
	63	LV20819-002A	FITTING(DISC2)	1	CENTER	
	64	LV20820-002A	FITTING(DISC3)	1	UPPER	
	65	LE40564-002A	MARK	1		
	66	LE30714-005A	KNOB	1		
	67	LV20009-310A	METAL COVER	1		
	68	E406308-004	SPECIAL SCREW	4	M.COVER SIDE	
	69	QYSBSGY3008E	SPECIAL SCREW	2	M.COVER REAR	
	72	-----	DVD 3CHANGER MECHANISM	1		
	73	E306805-134	SPACER	1		
	74	LV30734-004A	KNOB	2	MIC	
	75	QYSDSF2608Z	SCREW	4		
	76	E308192-001	FL HOLDER	1	BK801	

DVD changer mechanism assembly and parts list

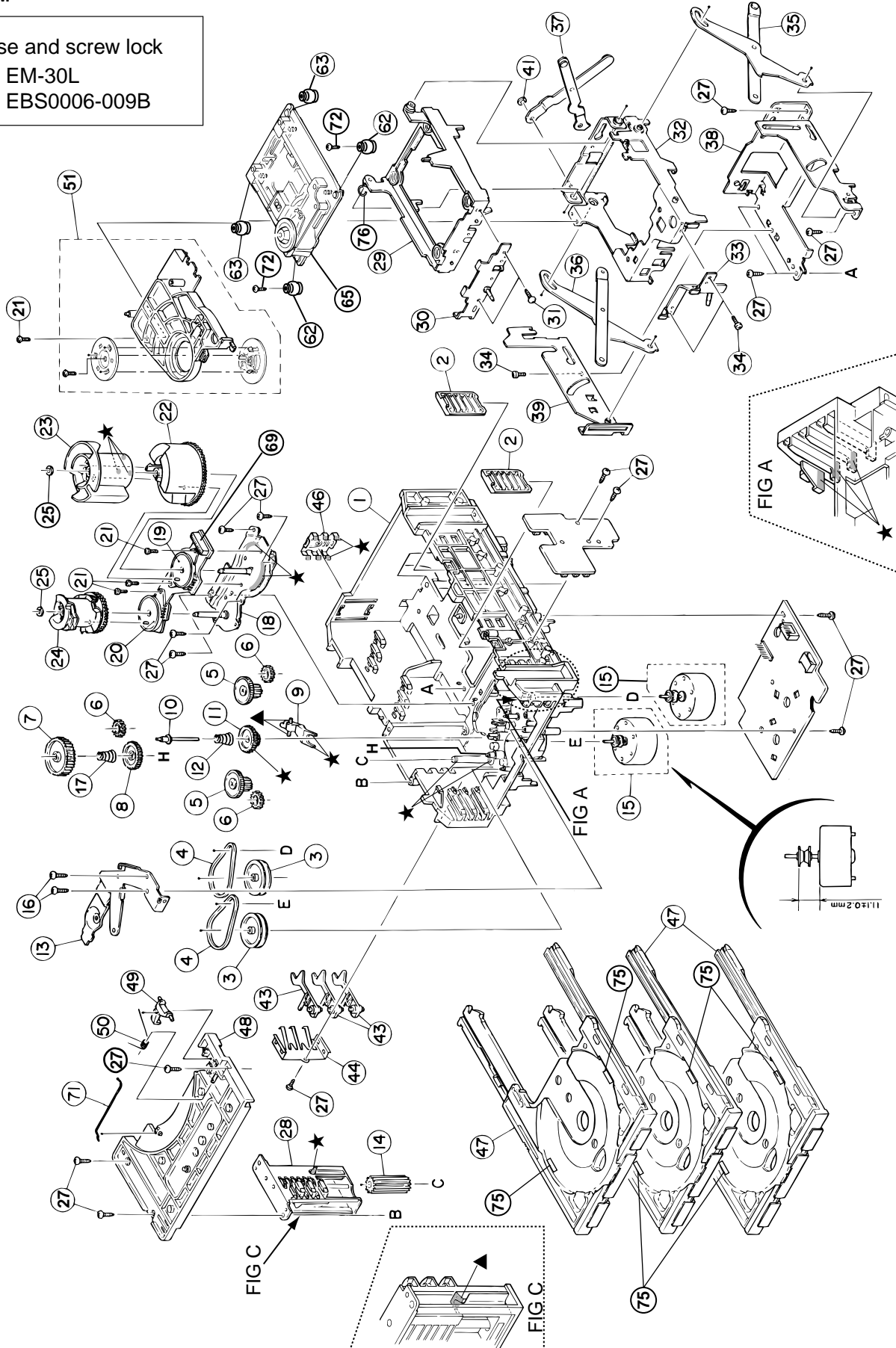
FLM-C5-3M

Block No. M 2 M M

Grease and screw lock

★ EM-30L

▲ EBS0006-009B



Parts list (DVD changer mechanism)

Block No. M2MM

△	Item	Parts number	Parts name	Q'ty	Description	Area
	1	VKS1144-003	CHASSIS	1		
	2	VKS3698-003	TRAY GUIDE	2		
	3	VKS5532-003	PULLEY GEAR	2		
	4	VKB3000-164	BELT	2		
	5	VKS5505-003	GEAR B	2		
	6	VKS5506-002	GEAR C	3		
	7	VKS5507-002	CROSS GEAR U	1		
	8	VKS5508-002	CROSS GEAR L	1		
	9	VKS5510-003	SELECT LEVER	1		
	10	VKH5769-001	S.G.SHAFT	1		
	11	VKS5511-002	SELECT GEAR	1		
	12	VKW5155-003	COMP.SPRING	1	FOR SELECT GEAR	
	13	VKM3846-002	GEAR BRACKET	1		
	14	VKS5509-002MM	CYLINDER GEAR	1		
	15	MSN-5D257A-SA2	D.C.MOTOR	2		
	16	QYSPSPD2616Z	SCREW	2	FOR MOTOR	
	17	LV40612-001A	COMP.SPRING	1		
	18	VKM3825-00AMM	C.G.BASE ASS'Y	1		
	19	VKZ3172-00ASS	CAM SW. R ASS'Y	1		
	20	VKZ3173-00ASS	CAM SW. L ASS'Y	1		
	21	QYSPST2606Z	SCREW	4	FOR CAM SW.	
	22	VKS2263-002MM	CAM R1	1		
	23	VKS2264-002MM	CAM R2	1		
	24	VKS2265-002MM	CAM GEAR L	1		
	25	WDL316050MM	SLIT WASHER	2		
	27	QYSBSF2608Z	T.SCREW	16	FOR C.GEAR BASE	
	28	VKS3702-00FMM	DRIVE UNIT	1		
	29	LV20466-001A	MECHA HOLDER A	1		
	30	VKL7767-00C	BRACKET ASSY	1		
	31	QYSBSF2606Z	SCREW	2	FOR BRACKET	
	32	VKM3860-00B	MCHA HOLDER ASS	1		
	33	VKL7802-00C	M.HOLDER C AS'Y	1		
	34	QYSDST2604Z	SCREW	3	FOR M.HOLDER C	
	35	VKL7810-00A	LIFTER ASS'Y R	1		
	36	VKL7811-00A	LIFTER ASS'Y L	1		
	37	VKL7812-00A	LIFTER ASS'Y H	1		
	38	VKL2732-002	LIFTER BASE	1		
	39	VKM3857-001	LIFTER BRACKET	1		
	41	WDL266035-2	SLIT WASHER	1		
	43	VKS5514-002MM	LOCK LEVER	3		
	44	VKY3133-002MM	RETURN SPRING	1		
	46	VKY3134-003MM	CLICK SPRING	1		
	47	VKS2252-00F	TRAY ASS'Y	3		
	48	VKS2250-003	TOP BRACKET	1		
	49	VKS5515-002	S.TRAY STOPPER	1		
	50	VKW5156-004	TORSION SPRING	1		
	51	VKS3703-00K	CLAMPER ASS'Y	1		
	62	LV41120-003A	INSULATOR	2		
	63	LV41120-004A	INSULATOR	2		
	65	-----	DVD MECHA	1		
	69	QGB2012J1-10	CONNECTOR	1		
	71	VKW5187-001	ROD	1		
	72	LV41119-001A	SPECIAL SCREW	2		
	75	LV41568-002A	SHEET	6		
	76	LV41571-001A	SPACER	1		

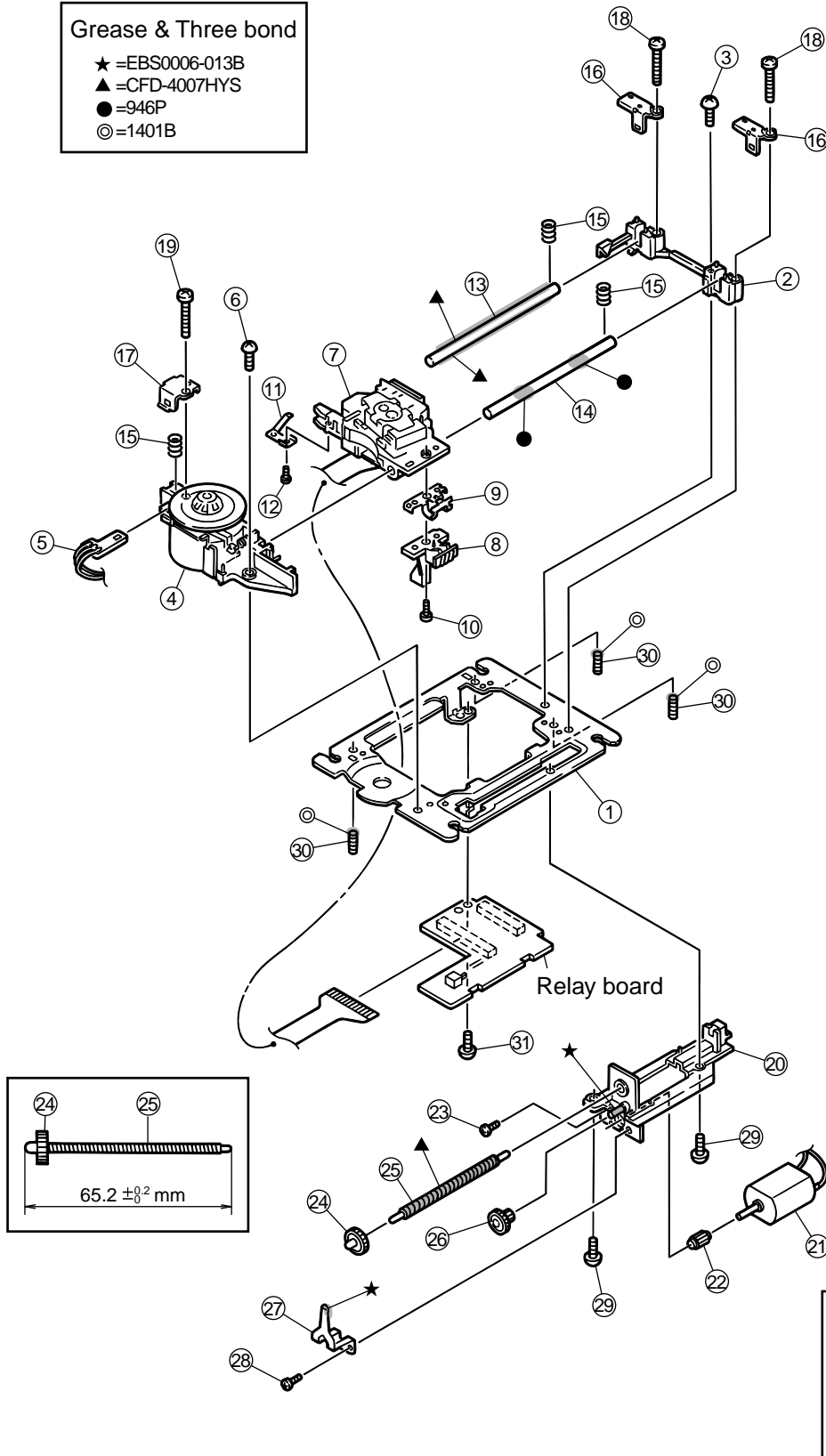
DVD Mechanism assembly and parts list

Block No. M 3 M M

FXL-V6-1C

Grease & Three bond

- ★ =EBS0006-013B
- ▲ =CFD-4007HYS
- =946P
- ◎ =1401B



Parts list (DVD mechanism)

Block No.M3MM

△	Item	Parts number	Parts name	Q'ty	Description	Area
	1	LV20638-001A	MECHA BASE	1		
	2	LV20635-001A	SHAFT HOLDER	1		
	3	QYSBST2606M	T.SCREW	1		
	4	VDG1099001TSVME	SP.MOTOR ASS'Y	1		
	5	QUM193-08B2B2	PARA RIBON WIRE	1		
	6	QYSBST2606M	T.SCREW	1	FOR S.BASE&M.BASE	
	7	OPTIMA-2010A1	DVD PICKUP	1		
	8	LV31670-001A	SWITCH ACTUATOR	1		
	9	LV31666-002A	LEAD SPRING	1		
	10	QYSPSGT2040M	SCREW	1		
	11	LV31743-002A	P.U.SPRING	1		
	12	QYSPSGT1416M	MINI SCREW	1		
	13	LV41121-002A	SHAFT	1	MAIN SHAFT	
	14	LV41121-002A	SHAFT	1	SUB SHAFT	
	15	LV41732-001A	SPRING	3		
	16	LV31669-001A	SHAFT STOPPER R	2		
	17	LV31668-001A	SHAFT STOPPER F	1		
	18	QYSPST2614M	SCREW	2	FOR STOPPER R	
	19	QYSPST2614M	SCREW	1	FOR STOPPER F	
	20	LV31746-003A	FEED HOLDER ASY	1		
	21	QAR0127-001	FEED MOTOR	1		
	22	LV41510-001A	FEED GEAR T	1		
	23	QYSPSPU2040M	SCREW	1	FOR FEED MOTOR	
	24	LV41512-001A	FEED GEAR E	1		
	25	LV41517-001A	LEAD SCREW	1		
	26	LV41511-002A	FEED GEAR M	1		
	27	LV31667-001A	THRUST SPRING	1		
	28	QYSPSPU2040M	SCREW	1	FOR FEED MOTOR	
	29	QYSBST2606M	T.SCREW	2	FOR FEED HOLDER	
	30	QYYASPF2608N	HEX SCREW	3	FOR TILT ADJUST	
	31	QYSBST2606M	T.SCREW	1	FOR PW BOARD	

■ Electrical parts list (Main board)

Block No. 01

△	Item	Parts number	Parts name	Remarks	Area
	C 601	QCS11HJ-181	C CAPACITOR	180PF 5% 50V	
	C 603	QCS11HJ-680	C CAPACITOR	68PF 5% 50V	
	C 604	QCS11HJ-150	C CAPACITOR	15PF 5% 50V	
	C 609	QETN0JM-477Z	E CAPACITOR	470MF 20% 6.3V	
	C 611	QCS11HJ-181	C CAPACITOR	180PF 5% 50V	
	C 613	QCS11HJ-680	C CAPACITOR	68PF 5% 50V	
	C 614	QCS11HJ-150	C CAPACITOR	15PF 5% 50V	
	C 619	QETN0JM-477Z	E CAPACITOR	470MF 20% 6.3V	
	C 621	QCS11HJ-121	C CAPACITOR	120PF 5% 50V	
	C 623	QCS11HJ-470	C CAPACITOR	47PF 5% 50V	
	C 624	QCS11HJ-100	C CAPACITOR	10PF 5% 50V	
	C 629	QETN0JM-477Z	E CAPACITOR	470MF 20% 6.3V	
	C 631	QCS11HJ-121	C CAPACITOR	120PF 5% 50V	
	C 633	QCS11HJ-470	C CAPACITOR	47PF 5% 50V	
	C 634	QCS11HJ-100	C CAPACITOR	10PF 5% 50V	
	C 639	NCB21EK-104X	C CAPACITOR		
	C 641	QCS11HJ-121	C CAPACITOR	120PF 5% 50V	
	C 643	QCS11HJ-470	C CAPACITOR	47PF 5% 50V	
	C 644	QCS11HJ-100	C CAPACITOR	10PF 5% 50V	
	C 649	QETN0JM-477Z	E CAPACITOR	470MF 20% 6.3V	
	C 659	QETN0JM-477Z	E CAPACITOR	470MF 20% 6.3V	
	C 701	QETN1HM-105Z	E CAPACITOR	1.0MF 20% 50V	
	C 702	NCB21EK-104X	C CAPACITOR		
	C 703	QETN1CM-226Z	E CAPACITOR	22MF 20% 16V	
	C 704	NCB21EK-104X	C CAPACITOR		
	C 705	NCB21EK-104X	C CAPACITOR		
	C 706	QFVF1HJ-104Z	MF CAPACITOR	.10MF 5% 50V	
	C 707	QETN0JM-107Z	E CAPACITOR	100MF 20% 6.3V	
	C 709	NCS21HJ-331X	C CAPACITOR		
	C 710	QETN1AM-477Z	E CAPACITOR	470MF 20% 10V	
	C 711	QCZ0205-155Z	ML C CAPACITOR	1.5MF	
	C 712	QETN0JM-477Z	E CAPACITOR	470MF 20% 6.3V	
	C 713	QCS11HJ-471	C CAPACITOR	470PF 5% 50V	
	C 714	QETN0JM-477Z	E CAPACITOR	470MF 20% 6.3V	
	C 715	QCZ0205-155Z	ML C CAPACITOR	1.5MF	
	C 716	QETN0JM-477Z	E CAPACITOR	470MF 20% 6.3V	
	C 717	QCZ0205-155Z	ML C CAPACITOR	1.5MF	
	C 718	QETN0JM-477Z	E CAPACITOR	470MF 20% 6.3V	
	C 719	NCS21HJ-101X	C CAPACITOR		
	C 720	NCB21EK-104X	C CAPACITOR		
	C 721	QCZ0205-155Z	ML C CAPACITOR	1.5MF	
	C 722	QCF11HZ-473	C CAPACITOR	.047MF +80:-20%	
	C 724	QCF11HZ-103	C CAPACITOR	.010MF +80:-20%	
	C 725	QETN1CM-477Z	E CAPACITOR	470MF 20% 16V	
	C 726	QETN1CM-227Z	E CAPACITOR	220MF 20% 16V	
	C 727	QETN1AM-227Z	E CAPACITOR	220MF 20% 10V	
	C 728	QETN1AM-107Z	E CAPACITOR	100MF 20% 10V	
	C 730	QFVJ1HJ-474Z	MF CAPACITOR	.47MF 5% 50V	
	C 731	QDYB1CM-103Y	C CAPACITOR		
	C 732	QDGB1HK-102Y	C CAPACITOR		
	C 733	QDGB1HK-102Y	C CAPACITOR		
	C 734	QDX31EM-473Z	C.CAPACITOR		
	C 735	NCB21EK-104X	C CAPACITOR		
	C 736	NCB21EK-104X	C CAPACITOR		
	C 739	QFN31HJ-472Z	M CAPACITOR	4700PF 5% 50V	
	C 740	QFLC1HJ-152Z	M CAPACITOR	1500PF 5% 50V	
	C 741	QFLC1HJ-181Z	M.CAPACITOR	180PF 5% 50V	
	C 742	QFN31HJ-333Z	M.CAPACITOR	.033MF 5% 50V	
	C 743	QFLC1HJ-152Z	M CAPACITOR	1500PF 5% 50V	
	C 744	QFLC1HJ-182Z	M CAPACITOR	1800PF 5% 50V	
	C 745	QFN31HJ-103Z	M CAPACITOR	.010MF 5% 50V	
	C 746	QETN1EM-476Z	E CAPACITOR	47MF 20% 25V	
	C 747	QFLC1HJ-471Z	M.CAPACITOR	470PF 5% 50V	
	C 749	QFN31HJ-472Z	M CAPACITOR	4700PF 5% 50V	

△	Item	Parts number	Parts name	Remarks	Area
	C 750	QFLC1HJ-152Z	M CAPACITOR	1500PF 5% 50V	
	C 751	QFLC1HJ-181Z	M.CAPACITOR	180PF 5% 50V	
	C 752	QFN31HJ-333Z	M.CAPACITOR	.033MF 5% 50V	
	C 753	QFLC1HJ-152Z	M CAPACITOR	1500PF 5% 50V	
	C 754	QFLC1HJ-182Z	M CAPACITOR	1800PF 5% 50V	
	C 755	QFN31HJ-103Z	M CAPACITOR	.010MF 5% 50V	
	C 756	QETN1EM-476Z	E CAPACITOR	47MF 20% 25V	
	C 757	QFLC1HJ-471Z	M.CAPACITOR	470PF 5% 50V	
	C 761	QETN1CM-107Z	E CAPACITOR	100MF 20% 16V	
	C 762	QETN1CM-107Z	E CAPACITOR	100MF 20% 16V	
	C 771	QETN1CM-107Z	E CAPACITOR	100MF 20% 16V	
	C 772	QETN1CM-107Z	E CAPACITOR	100MF 20% 16V	
	C 797	NCB21HK-103X	C CAPACITOR		
	C 799	NCB21HK-103X	C CAPACITOR		
	C 801	NCB21EK-104X	C CAPACITOR		
	C 802	QEKC1AM-476Z	E.CAPACITOR	47MF 20% 10V	
	C 811	NCB21EK-104X	C CAPACITOR		
	C 812	QEKCOJM-476Z	E.CAPACITOR	47MF 20% 6.3V	
	C 813	NCB21EK-104X	C CAPACITOR		
	C 814	NCS21HJ-220X	C CAPACITOR		
	C 821	QEKC1HM-475Z	E.CAPACITOR	4.7MF 20% 50V	
	C 902	QFZ9067-683	C CAPACITOR	.068MF	
	C 906	QCZ9079-102	C CAPACITOR	1000PF	
	C 907	QEZO445-127	E.CAPACITOR	120MF	
	C 908	QCZ0136-332Z	C CAPACITOR	3300PF	
	C 909	QCZ0136-101Z	C CAPACITOR	100PF	
	C 910	QCS11HJ-221	C CAPACITOR	220PF 5% 50V	
	C 913	QCZ0136-101Z	C CAPACITOR	100PF	
	C 914	QEMX1EM-396Z	E CAPACITOR	39MF 20% 25V	
	C 915	QCB1HK-471Y	C CAPACITOR	470PF 10% 50V	
	C 916	QCZ9079-332	C CAPACITOR	3300PF	
	C 917	QCZ0205-155Z	ML C CAPACITOR	1.5MF	
	C 918	QCFB1HZ-104Y	C CAPACITOR	.10MF +80:-20%	
	C 931	QCZ0205-155Z	ML C CAPACITOR	1.5MF	
	C 932	QCS11HJ-101	C CAPACITOR	100PF 5% 50V	
	C 951	QCS11HJ-101	C CAPACITOR	100PF 5% 50V	
	C 952	QCS11HJ-101	C CAPACITOR	100PF 5% 50V	
	C 953	QCS11HJ-101	C CAPACITOR	100PF 5% 50V	
	C 954	QCS11HJ-101	C CAPACITOR	100PF 5% 50V	
	C 956	QCS11HJ-101	C CAPACITOR	100PF 5% 50V	
	C 957	QCS11HJ-101	C CAPACITOR	100PF 5% 50V	
	C 960	QEMX1AM-826Z	E CAPACITOR	82MF 20% 10V	
	C 961	QCZ0205-155Z	ML C CAPACITOR	1.5MF	
	C 962	QETN1HM-226Z	E CAPACITOR	22MF 20% 50V	
	C 963	QEMX1HM-396Z	E CAPACITOR	39MF 20% 50V	
	C 964	QETN1HM-226Z	E CAPACITOR	22MF 20% 50V	
	C 965	QEMW1AM-108	E CAPACITOR	1000MF 20% 10V	
	C 966	QETN1AM-477Z	E CAPACITOR	470MF 20% 10V	
	C 967	QFVJ1HJ-104Z	MF CAPACITOR	.10MF 5% 50V	
	C 968	QFVJ1HJ-104Z	MF CAPACITOR	.10MF 5% 50V	
	C 969	QETN1AM-227Z	E CAPACITOR	220MF 20% 10V	
	C 970	QFVJ1HJ-104Z	MF CAPACITOR	.10MF 5% 50V	
	C 973	QETN1AM-107Z	E CAPACITOR	100MF 20% 10V	
	C 976	QFVJ1HJ-104Z	MF CAPACITOR	.10MF 5% 50V	
	C 977	QFVJ1HJ-104Z	MF CAPACITOR	.10MF 5% 50V	
	C 978	QETN1AM-107Z	E CAPACITOR	100MF 20% 10V	
	C 979	QEMW1CM-827	E CAPACITOR	820MF 20% 16V	
	C 981	QCZ0205-155Z	ML C CAPACITOR	1.5MF	
	C 982	QEMW1EM-567	E CAPACITOR	560MF 20% 25V	
	C 984	QETN1EM-227Z	E CAPACITOR	220MF 20% 25V	
	C 987	QEMX1EM-187Z	E CAPACITOR	180MF 20% 25V	
	C 989	QETN1EM-107Z	E CAPACITOR	100MF 20% 25V	
	C 992	QETN1HM-474Z	E CAPACITOR	.47MF 20% 50V	
	C 993	QCS11HJ-101	C CAPACITOR	100PF 5% 50V	

■ Electrical parts list (Main board)

Block No. 01

△	Item	Parts number	Parts name	Remarks	Area
	C 994	QDVB1EZ-223Y	C CAPACITOR		
	C 995	QETN1CM-227Z	E CAPACITOR	220MF 20% 16V	
	C 996	QETN1CM-226Z	E CAPACITOR	22MF 20% 16V	
	C 997	QETN1CM-227Z	E CAPACITOR	220MF 20% 16V	
	CN601	QGF1016F1-09	CONNECTOR		
	CN701	QGF1016C1-23	CONNECTOR		
	CN702	QGF1205C1-10	CONNECTOR		
	CN703	QGF1205C1-09	CONNECTOR		
	CN704	QGD2501C1-03Z	SOCKET		
	CN712	QGD2501C1-03Z	SOCKET		
	CN801	QGF1210G1-09	CONNECTOR		
	CN951	QGD2501C1-04Z	SOCKET		
	CN952	QGD2501C1-04Z	SOCKET		
	CN961	QGA2001C1-09	9P PLUG ASSY		
	CN971	QGD2501C1-03Z	SOCKET		
	CN972	QGD2501C1-03Z	SOCKET		
	CN981	QGD2501C1-04Z	SOCKET		
△	CP951	ICP-N10-T	ICP		
△	CP952	ICP-N5-T	ICP		
	C1701	QETN1EM-476Z	E CAPACITOR	47MF 20% 25V	
	C1702	QETN1EM-476Z	E CAPACITOR	47MF 20% 25V	
	C1703	NCS21HJ-151X	C CAPACITOR		
	C1704	NCS21HJ-221X	C CAPACITOR		
	C1705	NCS21HJ-221X	C CAPACITOR		
	D 609	1SS133-T2	SI DIODE		
	D 619	1SS133-T2	SI DIODE		
	D 629	1SS133-T2	SI DIODE		
	D 639	1SS133-T2	SI DIODE		
	D 649	1SS133-T2	SI DIODE		
	D 701	1SS133-T2	SI DIODE		
	D 702	MTZJ3.3B-T2	ZENER DIODE IM		
	D 709	1SS133-T2	SI DIODE		
	D 731	KV1555N-T	VARI CAPACITOR		
	D 732	KV1555N-T	VARI CAPACITOR		
	D 733	MTZJ5.1C-T2	ZENER DIODE		
	D 791	1SS133-T2	SI DIODE		
	D 792	1SS133-T2	SI DIODE		
	D 801	SLR-342VC-T	LED	STANDBY	
	D 811	SLR-342MC-T	LED		
	D 812	SLR-342MC-T	LED		
	D 813	SLR-342MC-T	LED		
	D 814	SLR-342MC-T	LED		
	D 815	SLR-342MC-T	LED		
	D 816	SLR-342MC-T	LED		
	D 821	SLR-342MC-T	LED		
	D 822	SLR-342MC-T	LED		
	D 823	SLR-342MC-T	LED		
	D 831	1SS133-T2	SI DIODE		
	D 832	1SS133-T2	SI DIODE		
	D 833	1SS133-T2	SI DIODE		
△	D 901	S1WB/A/60-4101	BRIDGE DIODE		
△	D 902	ERA18-04-T1	FR DIODE		
△	D 903	ERA18-04-T1	FR DIODE		
△	D 904	ERA18-04-T1	FR DIODE		
△	D 908	ERA18-04-T1	FR DIODE		
△	D 910	ERA18-04-T1	FR DIODE		
	D 911	1SS133-T2	SI DIODE		
	D 950	MTZJ22C-T2	ZENER DIODE		
△	D 951	ERA18-04-T1	FR DIODE		
△	D 952	ERA18-04-T1	FR DIODE		
△	D 953	FMB-24	FUSEIODE		
△	D 954	ERA18-04-T1	FR DIODE		
△	D 956	ERA18-04-T1	FR DIODE		
△	D 957	ERA18-04-T1	FR DIODE		

△	Item	Parts number	Parts name	Remarks	Area
	D 960	MTZJ2.0A-T2	ZENER DIODE		
	D 970	1SS133-T2	SI DIODE		
	D 972	1SS133-T2	SI DIODE		
	D 973	1SS133-T2	SI DIODE		
	D 974	1SS133-T2	SI DIODE		
	D 991	MTZJ5.1A-T2	ZENER DIODE		
	DI801	QLF0064-001	FL TUBE		
	EP711	QNZ0136-001Z	EARTH PLATE		
	EP951	QNZ0136-001Z	EARTH PLATE		
	FC901	QNG0003-001Z	FUSE CLIP		
	FC902	QNG0003-001Z	FUSE CLIP		
	FL901	E67132-T1R6	T1R6 FUSE LABEL		
	FW601	QUM133-10DGZ4	PARA RIBON WIRE	TO CN704	
	FW701	QUM138-26DGZ4	PARA RIBON WIRE	TO CN951&CN952	
	FW801	QUM136-16DGZ4	PARA RIBON WIRE	TO CN971&CN972	
	FW802	QUM133-15Z4Z4	PARA RIBON WIRE	TO FW841(SHUT)	
	HS901	E70306-002	HEAT SINK	IC901-c	
	HS964	LE40505-001A	HEAT SINK		
	IC701	MN101C12GHC	IC	#300 MADE	
	IC702	IC-PST9140-T	IC		
	IC703	MN35503-X	IC		
	IC704	TC7S08F-W	IC		
△	IC711	BA41W12ST-V5	IC		
	IC741	NJM4580M-X	IC		
	IC751	NJM4580M-X	IC		
	IC791	AK93C45AF-W	IC		
	IC801	GP1U271X	RM RECIVER		
	IC802	M35500BGP	FL DRIVER		
△	IC901	STR-G6651	IC		
	IC951	PQ05RD21	IC		
△	IC953	NJM78M05FA	IC		
	J 601	QNN0317-001	PIN JACK	COMPONENT	
	J 602	QNZ0430-001	AV JACK	S-OUT&VIDEO	
	J 701	QNN0170-002	PIN JACK	AUDIO OUT	
	J 702	QNS0083-001	3.5 JACK	AV COMPULINK	
	J 703	GP1FA550TZ	OPT TRANSMITTER	OPT DIGITAL OUT	
	J 704	QNN0347-001	PIN JACK	COAXIAL	
	K 601	QQR0601-001Z	FERRITE BEADS		
	K 603	QQR0601-001Z	FERRITE BEADS		
	K 701	NQR0227-004X	FERRITE BEADS		
	K 702	NQR0227-004X	FERRITE BEADS		
	K 703	NQR0227-004X	FERRITE BEADS		
	K 704	NQR0227-004X	FERRITE BEADS		
	K 706	NQR0227-004X	FERRITE BEADS		
	K 708	NQR0227-004X	FERRITE BEADS		
	K 951	QQR0601-001Z	FERRITE BEADS		
	K 952	QQR0601-001Z	FERRITE BEADS		
	K 953	QQR0601-001Z	FERRITE BEADS		
	K 954	QQR0601-001Z	FERRITE BEADS	B9013p-cp-c	
	L 601	QQL071J-120Y	INDUCTOR		
	L 602	QQL071J-5R6Y	INDUCTOR		
	L 611	QQL071J-120Y	INDUCTOR		
	L 612	QQL071J-5R6Y	INDUCTOR		
	L 621	QQL071J-120Y	INDUCTOR		
	L 622	QQL071J-5R6Y	INDUCTOR		
	L 631	QQL071J-120Y	INDUCTOR		
	L 632	QQL071J-5R6Y	INDUCTOR		
	L 641	QQL071J-120Y	INDUCTOR		
	L 642	QQL071J-5R6Y	INDUCTOR		
	L 709	QQL071J-2R2Y	INDUCTOR		
	L 731	QQL071J-1R2Y	INDUCTOR		
△	L 901	QQR0894-001	LINE FILTER		
	L 951	QQL01BK-R22Z	I0COIL		
	L 952	QQL31AK-101Z	INDUCTOR		

■ Electrical parts list (Main board)

Block No. 01

△	Item	Parts number	Parts name	Remarks	Area
	L 955	QQL31AK-101Z	INDUCTOR		
	L 957	QQL31AK-101Z	INDUCTOR		
	L 959	QQL31AK-101Z	INDUCTOR		
	P 901	QNC0006-001	AC SOCKET		
△	PC901	PC123FY	IC(PHOTO COUPLE		
△	PC902	PC123FY	IC(PHOTO COUPLE		
	Q 601	2SA1175/FE/-T	TRANSISTOR		
	Q 611	2SA1175/FE/-T	TRANSISTOR		
	Q 621	2SA1175/FE/-T	TRANSISTOR		
	Q 631	2SA1175/FE/-T	TRANSISTOR		
	Q 641	2SA1175/FE/-T	TRANSISTOR		
	Q 709	DTC114YKA-X	CHIP D.TRANSIST		
	Q 711	DTA114EKA-X	DIGITAL.TRANSIS		
	Q 741	2SC3576-JVC-T	TRANSISTOR I/M	FREQ	
	Q 742	DTC114TSA-T	D.TRANSISTOR	ATT	
	Q 743	2SC3576-JVC-T	TRANSISTOR I/M	AMUTE1	
	Q 751	2SC3576-JVC-T	TRANSISTOR I/M	FREQ	
	Q 752	DTC114TSA-T	D.TRANSISTOR	ATT	
	Q 753	2SC3576-JVC-T	TRANSISTOR I/M	AMUTE1	
	Q 755	DTA144EKA-X	TRANSISTOR		
	Q 791	DTA114EKA-X	DIGITAL.TRANSIS		
	Q 821	DTC124EKA-X	TRANSISTOR		
	Q 822	DTC124EKA-X	TRANSISTOR		
	Q 823	DTC124EKA-X	TRANSISTOR		
	Q 951	2SC2060/QR/-T	TRANSISTOR		
	Q 952	DTA144EKA-X	TRANSISTOR		
	Q 953	2SA1175/FE/-T	TRANSISTOR		
△	Q 964	2SB1565/EF/	TRANSISTOR		
	Q 965	2SC2785/FE/-T	TRANSISTOR		
	Q 966	2SA1175/FE/-T	TRANSISTOR		
	Q 991	2SC2785/FE/-T	TRANSISTOR		
	R 601	NRSA02J-270X	MG RESISTOR		
	R 602	NRSA02J-391X	MG RESISTOR		
	R 603	NRSA02J-270X	MG RESISTOR		
	R 604	NRSA02J-391X	MG RESISTOR		
	R 605	NRSA02J-221X	MG RESISTOR		
	R 606	QRE141J-102Y	C RESISTOR	1.0K 5% 1/4W	
	R 609	NRSA02J-750X	MG RESISTOR		
	R 611	NRSA02J-270X	MG RESISTOR		
	R 612	NRSA02J-391X	MG RESISTOR		
	R 613	NRSA02J-270X	MG RESISTOR		
	R 614	NRSA02J-391X	MG RESISTOR		
	R 615	NRSA02J-221X	MG RESISTOR		
	R 616	QRE141J-102Y	C RESISTOR	1.0K 5% 1/4W	
	R 619	NRSA02J-750X	MG RESISTOR		
	R 621	NRSA02J-751X	MG RESISTOR		
	R 622	NRSA02J-751X	MG RESISTOR		
	R 623	NRSA02J-751X	MG RESISTOR		
	R 624	NRSA02J-751X	MG RESISTOR		
	R 625	NRSA02J-221X	MG RESISTOR		
	R 629	NRSA02J-750X	MG RESISTOR		
	R 631	NRSA02J-680X	MG RESISTOR		
	R 632	NRSA02J-391X	MG RESISTOR		
	R 633	NRSA02J-680X	MG RESISTOR		
	R 634	NRSA02J-391X	MG RESISTOR		
	R 635	NRSA02J-221X	MG RESISTOR		
	R 636	QRE141J-102Y	C RESISTOR	1.0K 5% 1/4W	
	R 639	NRSA02J-750X	MG RESISTOR		
	R 641	NRSA02J-751X	MG RESISTOR		
	R 642	NRSA02J-751X	MG RESISTOR		
	R 643	NRSA02J-751X	MG RESISTOR		
	R 644	NRSA02J-751X	MG RESISTOR		
	R 645	NRSA02J-221X	MG RESISTOR		
	R 649	NRSA02J-750X	MG RESISTOR		

△	Item	Parts number	Parts name	Remarks	Area
	R 650	QRE141J-561Y	C RESISTOR	560 5% 1/4W	
	R 651	QRE141J-102Y	C RESISTOR	1.0K 5% 1/4W	
	R 659	NRSA02J-750X	MG RESISTOR		
	R 701	NRSA02J-102X	MG RESISTOR		
	R 702	NRSA02J-472X	MG RESISTOR		
	R 703	NRSA02J-105X	MG RESISTOR		
	R 704	NRSA02J-102X	MG RESISTOR		
	R 705	NRSA02J-2R2X	MG RESISTOR		
	R 706	NRSA02J-104X	MG RESISTOR		
	R 708	NRSA02J-101X	MG RESISTOR		
	R 709	NRSA02J-103X	MG RESISTOR		
	R 711	NRSA02J-560X	MG RESISTOR		
	R 712	NRSA02J-560X	MG RESISTOR		
	R 713	NRSA02J-560X	MG RESISTOR		
	R 714	NRSA02J-152X	MG RESISTOR		
	R 715	NRSA02J-560X	MG RESISTOR		
	R 716	NRSA02J-152X	MG RESISTOR		
	R 717	NRSA02J-101X	MG RESISTOR		
	R 718	NRSA02J-0R0X	MG RESISTOR		
	R 719	NRSA02J-0R0X	MG RESISTOR		
	R 720	NRSA02J-0R0X	MG RESISTOR		
	R 721	NRSA02J-471X	MG RESISTOR		
	R 722	NRSA02J-471X	MG RESISTOR		
	R 723	NRSA02J-471X	MG RESISTOR		
	R 724	NRSA02J-471X	MG RESISTOR		
	R 725	NRSA02J-511X	MG RESISTOR		
	R 726	NRSA02J-471X	MG RESISTOR		
	R 727	NRSA02J-102X	MG RESISTOR		
	R 728	NRSA02J-471X	MG RESISTOR		
	R 729	NRSA02J-471X	MG RESISTOR		
	R 730	NRSA02J-333X	MG RESISTOR		
	R 731	NRSA02J-102X	MG RESISTOR		
	R 732	NRSA02J-333X	MG RESISTOR		
	R 733	NRSA02J-104X	MG RESISTOR		
	R 734	NRSA02J-333X	MG RESISTOR		
	R 735	NRSA02J-104X	MG RESISTOR		
	R 736	NRSA02J-181X	MG RESISTOR		
	R 737	NRSA02J-104X	MG RESISTOR		
	R 738	NRSA02J-153X	MG RESISTOR		
	R 739	NRSA02J-102X	MG RESISTOR		
	R 740	QRE141J-243Y	C RESISTOR	24K 5% 1/4W	
	R 741	QRE141J-243Y	C RESISTOR	24K 5% 1/4W	
	R 742	QRE141J-163Y	C RESISTOR	16K 5% 1/4W	
	R 743	QRE141J-163Y	C RESISTOR	16K 5% 1/4W	
	R 744	NRSA02J-682X	MG RESISTOR		
	R 745	QRE141J-183Y	C RESISTOR	18K 5% 1/4W	
	R 746	NRSA02J-821X	MG RESISTOR		
	R 747	NRSA02J-362X	MG RESISTOR		
	R 748	NRSA02J-561X	MG RESISTOR		
	R 749	NRSA02J-103X	MG RESISTOR		
	R 750	QRE141J-243Y	C RESISTOR	24K 5% 1/4W	
	R 751	QRE141J-243Y	C RESISTOR	24K 5% 1/4W	
	R 752	QRE141J-163Y	C RESISTOR	16K 5% 1/4W	
	R 753	QRE141J-163Y	C RESISTOR	16K 5% 1/4W	
	R 754	NRSA02J-682X	MG RESISTOR		
	R 755	QRE141J-183Y	C RESISTOR	18K 5% 1/4W	
	R 756	NRSA02J-821X	MG RESISTOR		
	R 757	NRSA02J-362X	MG RESISTOR		
	R 758	NRSA02J-561X	MG RESISTOR		
	R 759	NRSA02J-103X	MG RESISTOR		
	R 760	NRSA02J-105X	MG RESISTOR		
	R 761	NRSA02J-561X	MG RESISTOR		
	R 762	NRSA02J-562X	MG RESISTOR		
	R 763	NRSA02J-222X	MG RESISTOR		

■ Electrical parts list (Main board)

Block No. 01

△	Item	Parts number	Parts name	Remarks	Area
	R 764	NRSA02J-183X	MG RESISTOR		
	R 765	NRSA02J-112X	MG RESISTOR		
	R 766	NRSA02J-273X	MG RESISTOR		
	R 767	NRSA02J-151X	MG RESISTOR		
	R 768	NRSA02J-103X	MG RESISTOR		
	R 770	NRSA02J-105X	MG RESISTOR		
	R 771	NRSA02J-561X	MG RESISTOR		
	R 772	NRSA02J-562X	MG RESISTOR		
	R 773	NRSA02J-222X	MG RESISTOR		
	R 774	NRSA02J-183X	MG RESISTOR		
	R 775	NRSA02J-112X	MG RESISTOR		
	R 776	NRSA02J-273X	MG RESISTOR		
	R 777	NRSA02J-151X	MG RESISTOR		
	R 778	NRSA02J-103X	MG RESISTOR		
	R 782	NRSA02J-221X	MG RESISTOR		
	R 783	NRSA02J-221X	MG RESISTOR		
	R 784	NRSA02J-112X	MG RESISTOR		
	R 786	NRSA02J-333X	MG RESISTOR		
	R 787	NRSA02J-333X	MG RESISTOR		
	R 788	NRSA02J-222X	MG RESISTOR		
	R 789	NRSA02J-222X	MG RESISTOR		
	R 792	NRSA02J-221X	MG RESISTOR		
	R 793	NRSA02J-221X	MG RESISTOR		
	R 794	NRSA02J-112X	MG RESISTOR		
	R 795	NRSA02J-472X	MG RESISTOR		
	R 796	NRSA02J-472X	MG RESISTOR		
	R 797	NRSA02J-473X	MG RESISTOR		
	R 798	NRSA02J-473X	MG RESISTOR		
	R 799	NRSA02J-473X	MG RESISTOR		
	R 801	NRSA02J-222X	MG RESISTOR		
	R 802	NRSA02J-222X	MG RESISTOR		
	R 803	NRSA02J-222X	MG RESISTOR		
	R 804	NRSA02J-222X	MG RESISTOR		
	R 805	NRSA02J-222X	MG RESISTOR		
	R 806	NRSA02J-102X	MG RESISTOR		
	R 807	NRSA02J-102X	MG RESISTOR		
	R 808	NRSA02J-102X	MG RESISTOR		
	R 809	NRSA02J-102X	MG RESISTOR		
	R 810	NRSA02J-102X	MG RESISTOR		
	R 811	NRSA02J-102X	MG RESISTOR		
	R 812	NRSA02J-102X	MG RESISTOR		
	R 813	NRSA02J-102X	MG RESISTOR		
	R 821	NRSA02J-102X	MG RESISTOR		
	R 822	NRSA02J-820X	MG RESISTOR		
	R 823	NRSA02J-820X	MG RESISTOR		
	R 824	NRSA02J-820X	MG RESISTOR		
	R 825	NRSA02J-271X	MG RESISTOR		
	R 826	NRSA02J-271X	MG RESISTOR		
	R 827	NRSA02J-271X	MG RESISTOR		
	R 830	NRSA02J-431X	MG RESISTOR		
	R 831	NRSA02J-681X	MG RESISTOR		
	R 832	NRSA02J-112X	MG RESISTOR		
	R 833	NRSA02J-222X	MG RESISTOR		
	R 840	NRSA02J-431X	MG RESISTOR		
	R 841	NRSA02J-681X	MG RESISTOR		
	R 842	NRSA02J-112X	MG RESISTOR		
	R 843	NRSA02J-222X	MG RESISTOR		
	R 844	NRSA02J-682X	MG RESISTOR		
	R 845	NRSA02J-431X	MG RESISTOR		
	R 846	NRSA02J-681X	MG RESISTOR		
	R 847	NRSA02J-112X	MG RESISTOR		
	R 848	NRSA02J-222X	MG RESISTOR		
	R 849	NRSA02J-682X	MG RESISTOR		
	R 900	NRSA02J-221X	MG RESISTOR		

△	Item	Parts number	Parts name	Remarks	Area
	R 901	QRL01DJ-683X	OMF RESISTOR	68K 5% 1/1W	
	R 903	QRE141J-270Y	C RESISTOR	27 5% 1/4W	
	R 904	QRE141J-222Y	C RESISTOR	2.2K 5% 1/4W	
	R 905	QRL027J-683	OMF RESISTOR	68K 5% 1/2W	
	R 906	QRE141J-681Y	C RESISTOR	680 5% 1/4W	
	R 907	QRT022J-R47	OMF RESISTOR	5% 1/2W	
	R 908	QRE141J-332Y	C RESISTOR	3.3K 5% 1/4W	
	R 910	QRE141J-754Y	C RESISTOR	750K 5% 1/4W	
	R 911	QRE141J-754Y	C RESISTOR	750K 5% 1/4W	
	R 952	NRSA02J-103X	MG RESISTOR		
	R 953	NRSA02J-103X	MG RESISTOR		
△	R 954	QRZ9006-4R7X	F RESISTOR	4.7 1/0W	
	R 955	NRSA02J-223X	MG RESISTOR		
	R 956	QRE141J-100Y	C RESISTOR	10 5% 1/4W	
	R 960	NRSA02J-101X	MG RESISTOR		
	R 961	NRSA02J-681X	MG RESISTOR		
	R 964	NRSA02J-105X	MG RESISTOR		
	R 965	NRSA02J-103X	MG RESISTOR		
	R 969	NRSA02J-221X	MG RESISTOR		
	R 971	NRSA02J-472X	MG RESISTOR		
	R 972	NRSA02J-152X	MG RESISTOR		
	R 973	NRSA02J-102X	MG RESISTOR		
	R 974	NRSA02J-562X	MG RESISTOR		
	R 975	NRSA02J-562X	MG RESISTOR		
	R 976	NRSA02J-221X	MG RESISTOR		
	R 980	NRSA02J-272X	MG RESISTOR		
	R1704	NRSA02J-103X	MG RESISTOR		
	R1707	NRSA02J-222X	MG RESISTOR		
	R1708	NRSA02J-222X	MG RESISTOR		
	R1709	NRSA02J-102X	MG RESISTOR		
	R1710	NRSA02J-102X	MG RESISTOR		
	R1711	NRSA02J-102X	MG RESISTOR		
	R1712	NRSA02J-331X	MG RESISTOR		
	R1713	NRSA02J-101X	MG RESISTOR		
	R1714	NRSA02J-472X	MG RESISTOR		
	R1716	NRSA02J-102X	MG RESISTOR		
	R1717	QRE141J-102Y	C RESISTOR	1.0K 5% 1/4W	
	R1721	NRSA02J-331X	MG RESISTOR		
	R1722	NRSA02J-750X	MG RESISTOR		
	R1723	NRSA02J-270X	MG RESISTOR		
	R1724	NRSA02J-101X	MG RESISTOR	TO C708	
	S 701	QSW0454-001	SW	NTSC/PAL	
	S 702	QSW0454-001	SW	ATT ON/OFF	
	S 801	QSW0683-001Z	PUSH SW I.M		
	S 811	QSW0683-001Z	PUSH SW I.M		
	S 812	QSW0683-001Z	PUSH SW I.M		
	S 813	QSW0683-001Z	PUSH SW I.M		
	S 814	QSW0683-001Z	PUSH SW I.M		
	S 815	QSW0683-001Z	PUSH SW I.M		
	S 821	QSW0683-001Z	PUSH SW I.M		
	S 822	QSW0683-001Z	PUSH SW I.M		
	S 823	QSW0683-001Z	PUSH SW I.M		
	S 824	QSW0683-001Z	PUSH SW I.M		
	S 825	QSW0683-001Z	PUSH SW I.M		
	S 826	QSW0683-001Z	PUSH SW I.M		
	S 831	QSW0683-001Z	PUSH SW I.M		
	S 832	QSW0683-001Z	PUSH SW I.M		
	S 833	QSW0683-001Z	PUSH SW I.M		
	S 834	QSW0683-001Z	PUSH SW I.M		
	S 835	QSW0683-001Z	PUSH SW I.M		
	S 836	QSW0683-001Z	PUSH SW I.M		
	S 841	QVQ0123-B15	SHUTTLE VR		
△	T 701	QQR0880-001	PULSE TRANS		
△	T 901	QQS0028-001	SW TRANSF		
	X 701	QAX0356-001Z	RESONATOR		

■ Electrical parts list (Travers mechanism control board) Block No. 02

△	Item	Parts number	Parts name	Remarks	Area	△	Item	Parts number	Parts name	Remarks	Area
	C 1	NCB31CK-104X	C CAPACITOR				C 237	NCB31CK-104X	C CAPACITOR		
	C 2	NEA70JM-226X	E CAPACITOR				C 238	NCB31CK-104X	C CAPACITOR		
	C 3	NEA70JM-226X	E CAPACITOR				C 239	NCB31CK-183X	C CAPACITOR		
	C 4	NCB31CK-104X	C CAPACITOR				C 240	NCS31HJ-470X	C CAPACITOR		
	C 5	NEX40JM-156X	E.CAPACITOR				C 241	NCB31CK-103X	C CAPACITOR		
	C 6	NCB31CK-104X	C CAPACITOR				C 242	NCB11CK-105X	C CAPACITOR		
	C 11	NEA70JM-107X	E.CAPACITOR				C 244	NCB31CK-104X	C CAPACITOR		
	C 12	NCB31CK-104X	C CAPACITOR				C 245	NCB31CK-103X	C CAPACITOR		
	C 15	NCB31CK-104X	C CAPACITOR				C 246	NCB31CK-104X	C CAPACITOR		
	C 16	NBE20JM-106X	TS E CAP SVB20J				C 247	NCB31CK-104X	C CAPACITOR		
	C 17	NCB31CK-104X	C CAPACITOR				C 248	NCB21CK-154X	C.CAPA. C.M		
	C 101	NCB31HK-561X	C CAPACITOR				C 249	NCB31CK-104X	C CAPACITOR		
	C 102	NCB31CK-104X	C CAPACITOR				C 250	NCB31CK-104X	C CAPACITOR		
	C 103	NCB31CK-104X	C CAPACITOR				C 251	NCB31CK-104X	C CAPACITOR		
	C 104	NCB31CK-104X	C CAPACITOR				C 252	NCB31CK-104X	C CAPACITOR		
	C 105	NCB31CK-104X	C CAPACITOR				C 253	NCB31CK-104X	C CAPACITOR		
	C 109	NEA70JM-476X	E.CAPACITOR				C 254	NEA70GM-336X	E CAPACITOR		
	C 112	NEA70JM-476X	E.CAPACITOR				C 255	NCB31CK-104X	C CAPACITOR		
	C 118	NCB21CK-154X	C.CAPA. C.M				C 256	NEA70GM-107X	E CAPACITOR		
	C 119	NCS31HJ-221X	C CAPACITOR				C 257	NCB11CK-105X	C CAPACITOR		
	C 120	NCS31HJ-820X	C CAPACITOR				C 258	NEA70GM-107X	E CAPACITOR		
	C 121	NCS31HJ-220X	C CAPACITOR				C 259	NCB11CK-105X	C CAPACITOR		
	C 122	NCB31HK-271X	C CAPACITOR				C 260	NCB31HK-561X	C CAPACITOR		
	C 123	NCB31CK-104X	C CAPACITOR				C 261	NCB31CK-104X	C CAPACITOR		
	C 124	NCB31CK-104X	C CAPACITOR				C 262	NCB31CK-104X	C CAPACITOR		
	C 125	NCB31CK-104X	C CAPACITOR				C 263	NCB31CK-104X	C CAPACITOR		
	C 126	NEX40JM-566X	E CAPACITOR				C 264	NCB21CK-474X	C CAPACITOR		
	C 127	NCB31HK-102X	C CAPACITOR				C 271	NCB31EK-332X	C CAPACITOR		
	C 128	NCB31CK-104X	C CAPACITOR				C 272	NCB31HK-331X	C CAPACITOR		
	C 130	NCB31CK-104X	C CAPACITOR				C 276	NCB31CK-104X	C CAPACITOR		
	C 131	NCS31HJ-120X	C CAPACITOR				C 277	NCB31CK-104X	C CAPACITOR		
	C 132	NCB31CK-104X	C CAPACITOR				C 278	NCB31HK-102X	C CAPACITOR		
	C 133	NCB31HK-561X	C CAPACITOR				C 279	NCB31HK-272X	C CAPACITOR		
	C 134	NCB31HK-561X	C CAPACITOR				C 281	NCB31CK-103X	C CAPACITOR		
	C 135	NCB31CK-273X	C CAPACITOR				C 283	NCB31CK-223X	C CAPACITOR		
	C 136	NCB31CK-473X	C CAPACITOR				C 284	NCB31CK-473X	C CAPACITOR		
	C 138	NCB31CK-104X	C CAPACITOR				C 288	NCB31CK-223X	C CAPACITOR		
	C 139	NCB31CK-104X	C CAPACITOR				C 289	NCB31CK-104X	C CAPACITOR		
	C 140	NEA70JM-226X	E CAPACITOR				C 291	NCB31CK-104X	C CAPACITOR		
	C 141	NCB31CK-104X	C CAPACITOR				C 292	NEA70JM-226X	E CAPACITOR		
	C 143	NCB31CK-104X	C CAPACITOR				C 293	NEA71CM-226X	E.CAPAP. C.M		
	C 144	NCB31CK-104X	C CAPACITOR				C 301	NCB31CK-104X	C CAPACITOR		
	C 145	NCB31CK-103X	C CAPACITOR				C 302	NCB31CK-104X	C CAPACITOR		
	C 151	NEX40JM-156X	E.CAPACITOR				C 303	NCB31CK-104X	C CAPACITOR		
	C 152	NEX40JM-156X	E.CAPACITOR				C 304	NCB31CK-104X	C CAPACITOR		
	C 153	NCB31CK-104X	C CAPACITOR				C 305	NCB31CK-104X	C CAPACITOR		
	C 159	NCB31CK-104X	C CAPACITOR				C 306	NCB31CK-104X	C CAPACITOR		
	C 160	NCB31CK-104X	C CAPACITOR				C 307	NCB31CK-104X	C CAPACITOR		
	C 161	NEA70GM-336X	E CAPACITOR				C 309	NCB31CK-104X	C CAPACITOR		
	C 202	NCB31HK-561X	C CAPACITOR				C 310	NCB31CK-104X	C CAPACITOR		
	C 203	NCB31HK-561X	C CAPACITOR				C 311	NCB31CK-104X	C CAPACITOR		
	C 204	NCB31HK-331X	C CAPACITOR				C 312	NCS31HJ-180X	C CAPACITOR		
	C 205	NCS31HJ-121X	C CAPACITOR				C 313	NCS31HJ-180X	C CAPACITOR		
	C 206	NCS31HJ-271X	C CAPACITOR				C 314	NCB31CK-104X	C CAPACITOR		
	C 207	NCB31HK-471X	C CAPACITOR				C 315	NCB31CK-104X	C CAPACITOR		
	C 208	NCB31CK-104X	C CAPACITOR				C 316	NEA70GM-107X	E CAPACITOR		
	C 209	NCB31HK-102X	C CAPACITOR				C 317	NCB11CK-105X	C CAPACITOR		
	C 210	NCB31HK-102X	C CAPACITOR				C 318	NCB31CK-104X	C CAPACITOR		
	C 222	NCB31HK-562X	C CAPACITOR				C 319	NCB31CK-104X	C CAPACITOR		
	C 223	NCB31HK-102X	C CAPACITOR				C 320	NCB31CK-104X	C CAPACITOR		
	C 224	NCB31CK-104X	C CAPACITOR				C 321	NCB31CK-104X	C CAPACITOR		
	C 225	NBE91CM-105X	E CAPACITOR				C 324	NCB31CK-104X	C CAPACITOR		
	C 227	NCB31HK-102X	C CAPACITOR				C 326	NCB31CK-104X	C CAPACITOR		
	C 228	NCB31HK-102X	C CAPACITOR				C 327	NEA70GM-107X	E CAPACITOR		

■ Electrical parts list (Traverse mechanism control board) Block No. 02

△	Item	Parts number	Parts name	Remarks	Area	△	Item	Parts number	Parts name	Remarks	Area
	C 341	NCB31CK-104X	C CAPACITOR				C 562	NEA70JM-226X	E CAPACITOR		
	C 342	NCB31CK-104X	C CAPACITOR				C 563	NCB31CK-104X	C CAPACITOR		
	C 343	NCB31CK-104X	C CAPACITOR				C 564	NCB31CK-104X	C CAPACITOR		
	C 344	NCB31CK-104X	C CAPACITOR				C 565	NCB31CK-104X	C CAPACITOR		
	C 345	NEA70JM-107X	E.CAPACITOR				C 566	NCB31CK-104X	C CAPACITOR		
	C 346	NCB11CK-105X	C CAPACITOR				C 567	NEA70JM-226X	E CAPACITOR		
	C 401	NCB31CK-104X	C CAPACITOR				C 568	NCB31CK-104X	C CAPACITOR		
	C 402	NCB31CK-104X	C CAPACITOR				C 569	NEA70JM-226X	E CAPACITOR		
	C 405	NCB31CK-104X	C CAPACITOR				C 570	NCB31CK-104X	C CAPACITOR		
	C 406	NCB31CK-104X	C CAPACITOR				C 589	NEA71EM-475X	E.CAPACITOR.		
	C 407	NCB31CK-104X	C CAPACITOR				C 590	NEA71EM-475X	E.CAPACITOR.		
	C 408	NEA70JM-226X	E CAPACITOR				C 591	NCB31HK-222X	C CAPACITOR		
	C 409	NCB31CK-104X	C CAPACITOR				C 592	NCB31HK-222X	C CAPACITOR		
	C 411	NCB31CK-104X	C CAPACITOR				C 593	NCB31CK-104X	C CAPACITOR		
	C 412	NCB31CK-104X	C CAPACITOR				C 594	NEA71EM-475X	E.CAPACITOR.		
	C 501	NCB31CK-104X	C CAPACITOR				C 595	NCB31CK-104X	C CAPACITOR		
	C 502	NCB31CK-104X	C CAPACITOR				C 596	NEA71EM-475X	E.CAPACITOR.		
	C 503	NCB31CK-104X	C CAPACITOR				C 599	NCB31CK-104X	C CAPACITOR		
	C 504	NCB31CK-104X	C CAPACITOR				CN101	QGF0501F3-40X	FFC/FPC CONNE	PU	
	C 505	NCB31CK-104X	C CAPACITOR				CN501	QGA2001F2-09X	CONNECTOR	POWER	
	C 506	NCB31CK-104X	C CAPACITOR				CN502	QGF1016F2-23W	CONNECTOR	SYSTEM	
	C 507	NCB31CK-104X	C CAPACITOR				CN503	QGF1016F2-09W	CONNECTOR C.M	VIDEO	
	C 508	NCB31CK-104X	C CAPACITOR				D 501	1SR154-400-X	DIODE		
	C 509	NCB31CK-104X	C CAPACITOR				D 511	1SS355-X	DIODE		
	C 510	NCB31CK-104X	C CAPACITOR				D 512	1SS355-X	DIODE		
	C 511	NCB31CK-104X	C CAPACITOR				D 513	1SS355-X	DIODE		
	C 512	NCB31CK-104X	C CAPACITOR				D 514	1SS355-X	DIODE		
	C 513	NCB31CK-104X	C CAPACITOR				D 551	1SS355-X	DIODE		
	C 514	NCB31CK-104X	C CAPACITOR				D 552	1SS355-X	DIODE		
	C 515	NCB31CK-104X	C CAPACITOR				IC101	AN8702FH	IC		
	C 516	NCB31CK-104X	C CAPACITOR				IC201	MN67706ZY	IC		
	C 517	NCB31CK-104X	C CAPACITOR				IC202	TC7WT125FU-X	(IGITAL)		
	C 518	NCB31CK-104X	C CAPACITOR				IC271	M56788FP-W	IC		
	C 519	NCB31CK-104X	C CAPACITOR				IC301	MN103S13BDA	IC		
	C 520	NCB31CK-104X	C CAPACITOR				IC311	TC7SH08FU-X	IC		
	C 521	NCB31CK-104X	C CAPACITOR				IC312	TC7SH32FU-X	IC		
	C 522	NCB31CK-104X	C CAPACITOR				IC321	TC7WH74FU-X	IC		
	C 523	NCB31CK-104X	C CAPACITOR				IC322	TC74VHC00FT-X	IC		
	C 524	NCB31CK-104X	C CAPACITOR				IC401	MN102L25GJB	IC C.M		
	C 525	NCB31CK-104X	C CAPACITOR				IC402	M27C1602CZ-94	IC		
	C 526	NCB31CK-104X	C CAPACITOR				IC403	AK93C65AF-X	IC		
	C 527	NCB31CK-104X	C CAPACITOR				IC501	ZIVA3-PE0	IC		
	C 528	NCB31CK-104X	C CAPACITOR				IC502	NAX0393-001X	CXO C.M	27MHZ	
	C 529	NCB31CK-104X	C CAPACITOR				IC503	TC74VHC00FT-X	IC		
	C 530	NEA70JM-107X	E.CAPACITOR				IC504	K4S161622D-TC80	IC	SAMSUNG	
	C 531	NCB31CK-104X	C CAPACITOR				IC505	K4S161622D-TC80	IC	SAMSUNG	
	C 532	NCB31CK-104X	C CAPACITOR				IC511	AK5353VT-X	IC		
	C 533	NCB31CK-104X	C CAPACITOR				IC554	MC44724AVFU	IC		
	C 534	NEA70JM-107X	E.CAPACITOR				K 102	NQR0007-002X	FERRITE BEADS		
	C 535	NCB31CK-104X	C CAPACITOR				K 103	NQR0007-002X	FERRITE BEADS		
	C 536	NCB31CK-103X	C CAPACITOR				K 201	NQR0007-002X	FERRITE BEADS		
	C 537	NEA70JM-226X	E CAPACITOR				K 202	NQR0007-002X	FERRITE BEADS		
	C 538	NCB31CK-104X	C CAPACITOR				K 203	NQR0007-002X	FERRITE BEADS		
	C 539	NCB31CK-104X	C CAPACITOR				K 301	NQR0007-002X	FERRITE BEADS		
	C 540	NEA70JM-226X	E CAPACITOR				K 302	NQR0007-002X	FERRITE BEADS		
	C 541	NCB31CK-104X	C CAPACITOR				K 303	NQR0007-002X	FERRITE BEADS		
	C 542	NEA70JM-226X	E CAPACITOR				K 401	NQR0007-002X	FERRITE BEADS		
	C 543	NCB31CK-104X	C CAPACITOR				K 402	NQR0007-002X	FERRITE BEADS		
	C 546	NEA71CM-106X	E.CAPACITOR				K 501	NQR0007-002X	FERRITE BEADS		
	C 547	NCB31CK-104X	C CAPACITOR				K 502	NQR0007-002X	FERRITE BEADS		
	C 550	NEA71CM-106X	E.CAPACITOR				K 503	NQR0007-002X	FERRITE BEADS		
	C 556	NEA70JM-107X	E.CAPACITOR				K 504	NQR0201-001X	FERRITE BEADS		
	C 557	NCB31CK-104X	C CAPACITOR				K 505	NQR0269-001X	FERRITE BEADS		
	C 561	NCB31CK-104X	C CAPACITOR				K 506	NQR0007-002X	FERRITE BEADS		

■ Electrical parts list (Traverse mechanism control board) Block No. 02

△	Item	Parts number	Parts name	Remarks	Area	△	Item	Parts number	Parts name	Remarks	Area
	K 507	NQR0007-002X	FERRITE BEADS				R 155	NRSA63J-0R0X	MG RESISTOR		
	K 511	NQR0007-002X	FERRITE BEADS				R 156	NRSA63J-333X	MG RESISTOR		
	K 550	NQR0007-002X	FERRITE BEADS				R 160	NRSA63J-0R0X	MG RESISTOR		
	K 551	NQR0007-002X	FERRITE BEADS				R 161	NRSA63J-0R0X	MG RESISTOR		
	K 553	NQR0007-002X	FERRITE BEADS				R 162	NRSA63J-0R0X	MG RESISTOR		
	K 554	NQR0007-002X	FERRITE BEADS				R 163	NRSA63J-0R0X	MG RESISTOR		
	K 555	NQR0007-002X	FERRITE BEADS				R 166	NRSA63J-182X	MG RESISTOR		
	K 556	NQR0007-002X	FERRITE BEADS				R 202	NRSA63J-473X	MG RESISTOR		
	K 557	NQR0007-002X	FERRITE BEADS				R 203	NRSA63J-473X	MG RESISTOR		
	K 558	NQR0007-002X	FERRITE BEADS				R 204	NRSA63J-473X	MG RESISTOR		
	K 559	NQR0007-002X	FERRITE BEADS				R 205	NRSA63J-473X	MG RESISTOR		
	K 561	NQR0007-002X	FERRITE BEADS				R 208	NRSA63J-473X	MG RESISTOR		
	K 562	NQR0007-002X	FERRITE BEADS				R 209	NRSA63J-123X	MG RESISTOR		
	K 563	NQR0007-002X	FERRITE BEADS				R 210	NRSA63J-473X	MG RESISTOR		
	K 564	NQR0007-002X	FERRITE BEADS				R 211	NRSA63J-273X	MG RESISTOR		
	K 565	NQR0007-002X	FERRITE BEADS				R 212	NRSA63J-273X	MG RESISTOR		
	K 566	NQR0007-002X	FERRITE BEADS				R 213	NRSA63J-562X	MG RESISTOR		
	K 567	NQR0007-002X	FERRITE BEADS				R 214	NRSA63J-123X	MG RESISTOR		
	K 568	NQR0007-002X	FERRITE BEADS				R 215	NRSA63J-105X	MG RESISTOR		
	K 569	NQR0007-002X	FERRITE BEADS				R 218	NRSA63J-153X	MG RESISTOR		
	K 570	NQR0007-002X	FERRITE BEADS				R 219	NRSA63J-473X	MG RESISTOR		
	K 571	NQR0007-002X	FERRITE BEADS				R 220	NRSA63J-473X	MG RESISTOR		
	K 572	NQR0007-002X	FERRITE BEADS				R 223	NRSA63J-473X	MG RESISTOR		
	K 574	NQR0007-002X	FERRITE BEADS				R 224	NRSA63J-0R0X	MG RESISTOR		
	K 575	NQR0007-002X	FERRITE BEADS				R 225	NRSA63J-682X	MG RESISTOR		
	K 576	NQR0007-002X	FERRITE BEADS				R 227	NRSA63J-102X	MG RESISTOR		
	K 577	NQR0007-002X	FERRITE BEADS				R 228	NRSA63J-183X	MG RESISTOR		
	K 578	NQR0007-002X	FERRITE BEADS				R 229	NRSA63J-273X	MG RESISTOR		
	K 579	NQR0007-002X	FERRITE BEADS				R 230	NRSA63J-273X	MG RESISTOR		
	L 1	NQL044K-100X	INDUCTOR				R 232	NRSA63J-472X	MG RESISTOR		
	Q 1	2SD2150/RS/W	POW TRANSISTOR				R 233	NRSA63J-472X	MG RESISTOR		
	Q 101	2SB1424/QR/-X	TRANSISTOR				R 234	NRSA63J-472X	MG RESISTOR		
	Q 102	2SB1424/QR/-X	TRANSISTOR				R 235	NRSA63J-0R0X	MG RESISTOR		
	Q 275	DTC144EE-X	TRANSISTOR				R 237	NRSA63J-221X	MG RESISTOR		
	R 1	NRSA63J-100X	MG RESISTOR				R 238	NRSA63J-221X	MG RESISTOR		
	R 103	NRS125J-270X	MG RESISTOR				R 239	NRSA63J-221X	MG RESISTOR		
	R 104	NRS125J-270X	MG RESISTOR				R 240	NRSA63J-221X	MG RESISTOR		
	R 107	NRSA63J-0R0X	MG RESISTOR				R 241	NRSA63J-221X	MG RESISTOR		
	R 108	NRSA63J-183X	MG RESISTOR				R 242	NRSA63J-102X	MG RESISTOR		
	R 109	NRSA63J-0R0X	MG RESISTOR				R 243	NRSA63J-102X	MG RESISTOR		
	R 110	NRSA63J-273X	MG RESISTOR				R 244	NRSA63J-102X	MG RESISTOR		
	R 111	NRSA63J-0R0X	MG RESISTOR				R 245	NRSA63J-102X	MG RESISTOR		
	R 112	NRSA63J-273X	MG RESISTOR				R 246	NRSA63J-102X	MG RESISTOR		
	R 113	NRSA63J-682X	MG RESISTOR				R 248	NRSA63J-473X	MG RESISTOR		
	R 114	NRSA63J-102X	MG RESISTOR				R 249	NRSA63J-473X	MG RESISTOR		
	R 115	NRVA63D-243X	MG RESISTOR				R 250	NRSA63J-473X	MG RESISTOR		
	R 116	NRSA63J-393X	MG RESISTOR				R 253	NRS125J-4R7X	MG RESISTOR		
	R 117	NRSA63J-123X	MG RESISTOR				R 255	NRSA63J-123X	MG RESISTOR		
	R 118	NRSA63J-223X	MG RESISTOR				R 256	NRSA63J-0R0X	MG RESISTOR		
	R 121	NRSA63J-0R0X	MG RESISTOR				R 257	NRSA63J-0R0X	MG RESISTOR		
	R 122	NRSA63J-0R0X	MG RESISTOR				R 271	NRSA63J-563X	MG RESISTOR		
	R 123	NRSA63J-0R0X	MG RESISTOR				R 272	NRSA63J-103X	MG RESISTOR		
	R 124	NRSA63J-0R0X	MG RESISTOR				R 273	NRS125J-1R0X	MG RESISTOR		
	R 125	NRSA63J-0R0X	MG RESISTOR				R 274	NRSA63J-0R0X	MG RESISTOR		
	R 126	NRSA63J-0R0X	MG RESISTOR				R 275	NRSA63J-103X	MG RESISTOR		
	R 127	NRSA63J-222X	MG RESISTOR				R 276	NRSA63J-103X	MG RESISTOR		
	R 128	NRSA63J-105X	MG RESISTOR				R 277	NRSA63J-103X	MG RESISTOR		
	R 129	NRSA63J-105X	MG RESISTOR				R 278	NRSA63J-103X	MG RESISTOR		
	R 131	NRSA63J-822X	MG RESISTOR				R 279	NRSA63J-103X	MG RESISTOR		
	R 132	NRSA63J-103X	MG RESISTOR				R 280	NRSA63J-103X	MG RESISTOR		
	R 144	NRSA63J-333X	MG RESISTOR				R 282	NRSA63J-103X	MG RESISTOR		
	R 145	NRSA63J-103X	MG RESISTOR				R 283	NRSA63J-103X	MG RESISTOR		
	R 152	NRS125J-1R0X	MG RESISTOR				R 284	NRSA63J-472X	MG RESISTOR		
	R 153	NRS125J-4R7X	MG RESISTOR				R 285	NRSA63J-103X	MG RESISTOR		

■ Electrical parts list (Traverse mechanism control board) Block No. 02

△	Item	Parts number	Parts name	Remarks	Area	△	Item	Parts number	Parts name	Remarks	Area
	R 286	NRSA63J-103X	MG RESISTOR				R 513	NRSA63J-330X	MG RESISTOR		
	R 287	NRSA63J-103X	MG RESISTOR				R 514	NRSA63J-330X	MG RESISTOR		
	R 288	NRSA63J-103X	MG RESISTOR				R 515	NRSA63J-330X	MG RESISTOR		
	R 289	NRSA63J-103X	MG RESISTOR				R 516	NRSA63J-330X	MG RESISTOR		
	R 290	NRSA63J-103X	MG RESISTOR				R 517	NRSA63J-330X	MG RESISTOR		
	R 292	NRSA63J-223X	MG RESISTOR				R 518	NRSA63J-330X	MG RESISTOR		
	R 295	NRSA63J-103X	MG RESISTOR				R 519	NRSA63J-330X	MG RESISTOR		
	R 296	NRSA63J-103X	MG RESISTOR				R 520	NRSA63J-330X	MG RESISTOR		
	R 297	NRS125J-1R0X	MG RESISTOR				R 521	NRSA63J-330X	MG RESISTOR		
	R 301	NRSA63J-473X	MG RESISTOR				R 522	NRSA63J-330X	MG RESISTOR		
	R 302	NRSA63J-473X	MG RESISTOR				R 523	NRSA63J-181X	MG RESISTOR		
	R 303	NRSA63J-473X	MG RESISTOR				R 524	NRSA63J-181X	MG RESISTOR		
	R 304	NRSA63J-473X	MG RESISTOR				R 525	NRSA63J-181X	MG RESISTOR		
	R 305	NRSA63J-473X	MG RESISTOR				R 526	NRSA63J-181X	MG RESISTOR		
	R 306	NRSA63J-473X	MG RESISTOR				R 527	NRSA63J-181X	MG RESISTOR		
	R 307	NRSA63J-473X	MG RESISTOR				R 528	NRSA63J-181X	MG RESISTOR		
	R 308	NRSA63J-473X	MG RESISTOR				R 529	NRSA63J-181X	MG RESISTOR		
	R 309	NRSA63J-103X	MG RESISTOR				R 530	NRSA63J-181X	MG RESISTOR		
	R 310	NRSA63J-102X	MG RESISTOR				R 531	NRSA63J-330X	MG RESISTOR		
	R 311	NRSA63J-102X	MG RESISTOR				R 532	NRSA63J-0R0X	MG RESISTOR		
	R 312	NRSA63J-102X	MG RESISTOR				R 533	NRSA63J-330X	MG RESISTOR		
	R 316	NRSA63J-105X	MG RESISTOR				R 534	NRSA63J-330X	MG RESISTOR		
	R 317	NRSA63J-0R0X	MG RESISTOR				R 535	NRSA63J-330X	MG RESISTOR		
	R 318	NRSA63J-0R0X	MG RESISTOR				R 536	NRSA63J-330X	MG RESISTOR		
	R 322	NRSA63J-473X	MG RESISTOR				R 537	NRSA63J-330X	MG RESISTOR		
	R 324	NRSA63J-473X	MG RESISTOR				R 538	NRSA63J-330X	MG RESISTOR		
	R 328	NRSA63J-473X	MG RESISTOR				R 539	NRSA63J-330X	MG RESISTOR		
	R 342	NRSA63J-0R0X	MG RESISTOR				R 540	NRSA63J-330X	MG RESISTOR		
	R 343	NRSA63J-102X	MG RESISTOR				R 541	NRSA63J-0R0X	MG RESISTOR		
	R 345	NRSA63J-562X	MG RESISTOR				R 542	NRSA63J-0R0X	MG RESISTOR		
	R 346	NRSA63J-472X	MG RESISTOR				R 543	NRSA63J-0R0X	MG RESISTOR		
	R 347	NRSA63J-102X	MG RESISTOR				R 544	NRSA63J-0R0X	MG RESISTOR		
	R 348	NRSA63J-102X	MG RESISTOR				R 545	NRSA63J-472X	MG RESISTOR		
	R 349	NRSA63J-102X	MG RESISTOR				R 547	NRSA63J-222X	MG RESISTOR		
	R 350	NRSA63J-102X	MG RESISTOR				R 548	NRSA63J-332X	MG RESISTOR		
	R 364	NRSA63J-0R0X	MG RESISTOR				R 551	NRSA63J-0R0X	MG RESISTOR		
	R 403	NRSA63J-472X	MG RESISTOR				R 564	NRVA63D-152X	MG RESISTOR		
	R 405	NRSA63J-472X	MG RESISTOR				R 565	NRVA63D-332X	MF RESISTOR		
	R 408	NRSA63J-472X	MG RESISTOR				R 571	NRSA63J-100X	MG RESISTOR		
	R 410	NRSA63J-0R0X	MG RESISTOR				R 572	NRSA63J-181X	MG RESISTOR		
	R 411	NRSA63J-472X	MG RESISTOR				R 573	NRSA63J-181X	MG RESISTOR		
	R 412	NRSA63J-103X	MG RESISTOR				R 574	NRSA63J-181X	MG RESISTOR		
	R 413	NRSA63J-472X	MG RESISTOR				R 575	NRSA63J-181X	MG RESISTOR		
	R 414	NRSA63J-472X	MG RESISTOR				R 576	NRSA63J-181X	MG RESISTOR		
	R 415	NRSA63J-472X	MG RESISTOR				R 577	NRSA63J-181X	MG RESISTOR		
	R 416	NRSA63J-472X	MG RESISTOR				R 578	NRSA63J-181X	MG RESISTOR		
	R 417	NRSA63J-472X	MG RESISTOR				R 579	NRSA63J-181X	MG RESISTOR		
	R 418	NRSA63J-472X	MG RESISTOR				R 580	NRSA63J-181X	MG RESISTOR		
	R 421	NRSA63J-0R0X	MG RESISTOR				R 581	NRSA63J-101X	MG RESISTOR		
	R 424	NRSA63J-0R0X	MG RESISTOR				R 582	NRSA63J-0R0X	MG RESISTOR		
	R 426	NRSA63J-0R0X	MG RESISTOR				R 586	NRVA63D-122X	MG RESISTOR		
	R 431	NRSA63J-472X	MG RESISTOR				R 587	NRVA63D-122X	MG RESISTOR		
	R 432	NRSA63J-472X	MG RESISTOR				R 588	NRVA63D-102X	CMF RESISTOR		
	R 501	NRSA63J-102X	MG RESISTOR				R 589	NRVA63D-102X	CMF RESISTOR		
	R 502	NRSA63J-222X	MG RESISTOR				R 591	NRSA63J-471X	MG RESISTOR		
	R 504	NRSA63J-330X	MG RESISTOR				R 592	NRSA63J-471X	MG RESISTOR		
	R 505	NRSA63J-330X	MG RESISTOR				X 301	NAX0375-001X	CRYSTAL	16.9344MHZ	
	R 506	NRSA63J-330X	MG RESISTOR				X 401	NAX0331-001X	C RESONATOR		
	R 507	NRSA63J-330X	MG RESISTOR								
	R 508	NRSA63J-330X	MG RESISTOR								
	R 509	NRSA63J-330X	MG RESISTOR								
	R 510	NRSA63J-330X	MG RESISTOR								
	R 511	NRSA63J-330X	MG RESISTOR								
	R 512	NRSA63J-330X	MG RESISTOR								

Block No. 03

■ Electrical parts list (DVD changer mechanism switch board)

△	Item	Parts number	Parts name	Remarks	Area
	CN804	QGB2016J1-07	CONNECTOR		
	SW 1	QSW0507-001	SWITCH		
	SW 2	QSW0507-001	SWITCH		
	SW 3	QSW0507-001	SWITCH		
	SW 4	QSW0507-001	SWITCH		
	SW 5	QSW0507-001	SWITCH		
	SW 6	QSW0507-001	SWITCH		

■ Electrical parts list (Relay board)

Block No.05

△					
	C 13	NCS31HJ-101X	C CAPACITOR		
	CN 10	QGF0501F4-40X	FFC/FPC CONNE		FOR MAIN
	CN 12	QGF1012F1-30X	FPC CONNE		FOR P.U
	IC 1	GP2S60B-X	IC(PHOTO COUPLE		
	K 10	NQR0265-003X	FERRITE BEADS		
	K 11	NQR0265-003X	FERRITE BEADS		
	K 12	NQR0265-003X	FERRITE BEADS		
	K 13	NQR0265-003X	FERRITE BEADS		
	K 14	NQR0265-003X	FERRITE BEADS		
	K 15	NQR0265-003X	FERRITE BEADS		
	K 16	NQR0265-003X	FERRITE BEADS		
	K 17	NQR0265-003X	FERRITE BEADS		
	K 18	NQR0265-003X	FERRITE BEADS		
	R 10	NRSA63J-391X	MG RESISTOR		
	R 11	NRSA63J-910X	MG RESISTOR		
	R 12	NRSA63J-911X	MG RESISTOR		
	S 10	QSW0620-001	SWITCH		REST SWITCH
	S 11	NSW0127-001X	SLIDE SWITCH		SHORT SWITCH

■ Electrical parts list (Mechanism control board)

Block No. 04

△	Item	Parts number	Parts name	Remarks	Area
	C 801	QEK41AM-107Z	E CAPACITOR	100MF 20% 10V	
	C 802	QEK41EM-475	E CAPACITOR	4.7MF 20% 25V	
	C 803	QFLC1HJ-102Z	M CAPACITOR	1000PF 5% 50V	
	C 804	QCFB1HZ-104Y	C CAPACITOR	.10MF +80:-20%	
	C 805	QDYB1CM-103Y	C CAPACITOR		
	C 806	QEK41CM-476	E CAPACITOR	47MF 20% 16V	
	C 807	QEK41CM-476	E CAPACITOR	47MF 20% 16V	
	C 808	QFLC1HJ-102Z	M CAPACITOR	1000PF 5% 50V	
	C 810	QCZ0205-155Z	ML C CAP I/M	1.5MF	
	C 811	QCZ0205-155Z	ML C CAP I/M	1.5MF	
	C 813	QDYB1CM-103Y	C CAPACITOR		
	C 821	QDGB1HK-102Y	C CAPACITOR		
	CN801	QGF1205F1-10	CONNECTOR	TO MICON	
	CN802	QGB2016K1-07	CONNECTOR	TO SWITCH PWB	
	CN803	QGB2012K2-10	CONNECTOR	TO CAM SW PWB	
	IC801	UPD65612GB-208	IC		
△	IC802	TA8409S	IC		
△	IC803	TA8409S	IC		
	L 801	QQL231K-100Y	INDUCTOR		
	L 802	QQL01BK-100Z	INDUCTOR		
	L 803	QQL01BK-100Z	INDUCTOR		
	L 804	QQL01BK-100Z	INDUCTOR		
	R 805	QRE141J-102Y	C RESISTOR	1.0K 5% 1/4W	
	R 806	QRE141J-471Y	C RESISTOR	470 5% 1/4W	
	R 807	QRE141J-471Y	C RESISTOR	470 5% 1/4W	
	R 808	QRE141J-102Y	C RESISTOR	1.0K 5% 1/4W	
	R 810	QRE141J-684Y	C RESISTOR	680K 5% 1/4W	
	R 811	QRE141J-105Y	C RESISTOR	1.0M 5% 1/4W	
	R 813	QRE141J-102Y	C RESISTOR	1.0K 5% 1/4W	
	R 814	QRE141J-102Y	C RESISTOR	1.0K 5% 1/4W	
	R 815	QRE141J-102Y	C RESISTOR	1.0K 5% 1/4W	
	R 816	QRE141J-102Y	C RESISTOR	1.0K 5% 1/4W	
	R 817	QRE141J-102Y	C RESISTOR	1.0K 5% 1/4W	
	R 818	QRE141J-102Y	C RESISTOR	1.0K 5% 1/4W	
	R 819	QRE141J-102Y	C RESISTOR	1.0K 5% 1/4W	
	R 820	QRE141J-102Y	C RESISTOR	1.0K 5% 1/4W	
	R 821	QRE141J-102Y	C RESISTOR	1.0K 5% 1/4W	
	R 822	QRE141J-102Y	C RESISTOR	1.0K 5% 1/4W	
	R 823	QRE141J-102Y	C RESISTOR	1.0K 5% 1/4W	
	R 824	QRE141J-102Y	C RESISTOR	1.0K 5% 1/4W	
	R 825	QRE141J-102Y	C RESISTOR	1.0K 5% 1/4W	
	R 826	QRE141J-102Y	C RESISTOR	1.0K 5% 1/4W	
	R 827	QRE141J-102Y	C RESISTOR	1.0K 5% 1/4W	
	R 828	QRE141J-102Y	C RESISTOR	1.0K 5% 1/4W	
	R 829	QRE141J-102Y	C RESISTOR	1.0K 5% 1/4W	
	R 830	QRE141J-102Y	C RESISTOR	1.0K 5% 1/4W	
	R 832	QRE141J-181Y	C RESISTOR	180 5% 1/4W	
	R 833	QRE141J-102Y	C RESISTOR	1.0K 5% 1/4W	
	R 834	QRE141J-102Y	C RESISTOR	1.0K 5% 1/4W	
	R 838	QRE141J-272Y	C RESISTOR	2.7K 5% 1/4W	
	R 839	QRE141J-332Y	C RESISTOR	3.3K 5% 1/4W	
	R 840	QRE141J-562Y	C RESISTOR	5.6K 5% 1/4W	

■ Electrical parts list (KARAOKE Board) Block No. 06

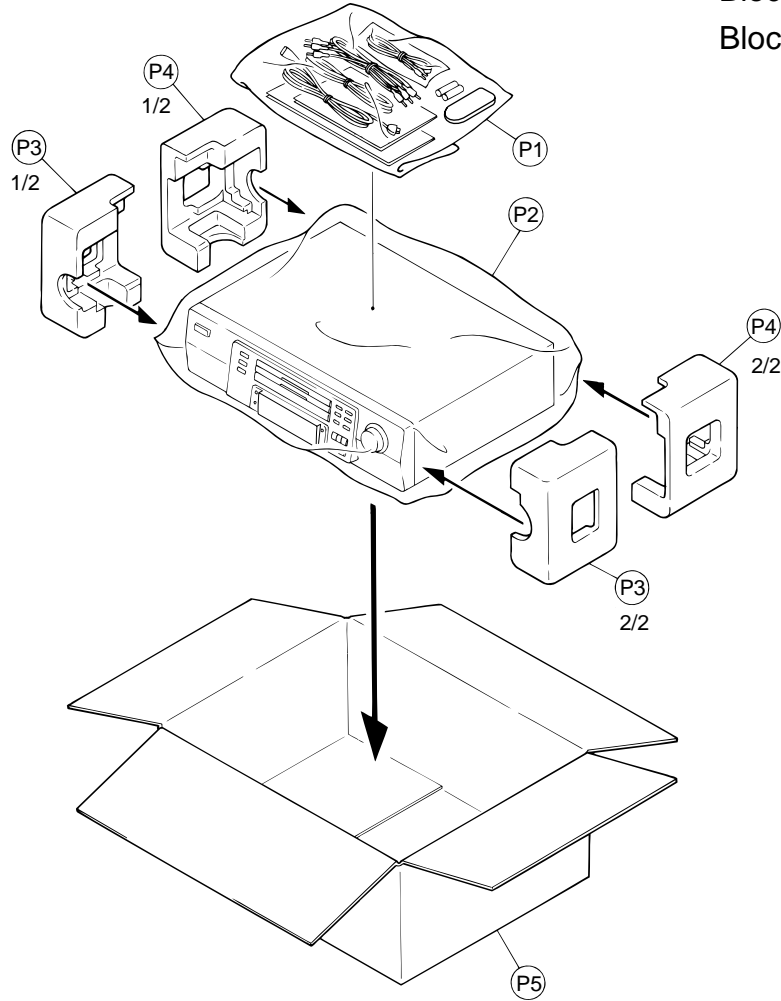
△	Item	Parts number	Parts name	Remarks	Area
	C 851	QCBB1HK-331Y	C CAPACITOR	330PF 10% 50V	
	C 852	QCBB1HK-331Y	C CAPACITOR	330PF 10% 50V	
	C 853	QETN1HM-105Z	E CAPACITOR	1.0MF 20% 50V	
	C 854	QETN1HM-105Z	E CAPACITOR	1.0MF 20% 50V	
	C 855	QCBB1HK-561Y	C CAPACITOR	560PF 10% 50V	
	C 856	QCBB1HK-561Y	C CAPACITOR	560PF 10% 50V	
	C 857	QCS11HJ-220	C CAPACITOR	22PF 5% 50V	
	C 858	QCS11HJ-220	C CAPACITOR	22PF 5% 50V	
	C 859	QETN1HM-474Z	E CAPACITOR	.47MF 20% 50V	
	C 860	QETN1HM-474Z	E CAPACITOR	.47MF 20% 50V	
	C 861	QFLM1HJ-104Z	M CAPACITOR	.10MF 5% 50V	
	C 862	QFLM1HJ-104Z	M CAPACITOR	.10MF 5% 50V	
	C 863	QETN1CM-107Z	E CAPACITOR	100MF 20% 16V	
	C 864	QETN1CM-107Z	E CAPACITOR	100MF 20% 16V	
	C 865	QDX31EM-473Z	C.CAPACITOR		
	C 871	QEKC1HM-105Z	E.CAPACITOR	1.0MF 20% 50V	
	C 872	QCBB1HK-101Y	C CAPACITOR	100PF 10% 50V	
	C 873	QCBB1HK-820Y	C CAPACITOR	82PF 10% 50V	
	C 875	QFLM1HJ-473Z	M CAPACITOR	.047MF 5% 50V	
	C 876	QFLM1HJ-473Z	M CAPACITOR	.047MF 5% 50V	
	C 877	QEKC1CM-107Z	E.CAPACITOR	100MF 20% 16V	
	C 878	QEKC1CM-107Z	E.CAPACITOR	100MF 20% 16V	
	FW851	QUM135-13Z4Z4	PARA RIBON WIRE	TO FW871	
	FW872	QUM134-22DGZ4	PARA RIBON WIRE	TO CN981	
	FW881	QUM133-22DGZ4	PARA RIBON WIRE	TO CN712	
	IC851	NJM4580L	IC		
	IC871	NJM4580L	IC		
	J 851	QNS0156-001	6.3 JACK	MIC1	
	J 852	QNS0157-001	6.3 JACK	MIC2	
	R 851	QRE141J-473Y	C RESISTOR	47K 5% 1/4W	
	R 852	QRE141J-473Y	C RESISTOR	47K 5% 1/4W	
	R 853	QRE141J-103Y	C RESISTOR	10K 5% 1/4W	
	R 854	QRE141J-103Y	C RESISTOR	10K 5% 1/4W	
	R 855	QRE141J-102Y	C RESISTOR	1.0K 5% 1/4W	
	R 856	QRE141J-102Y	C RESISTOR	1.0K 5% 1/4W	
	R 857	QRE141J-182Y	C RESISTOR	1.8K 5% 1/4W	
	R 858	QRE141J-182Y	C RESISTOR	1.8K 5% 1/4W	
	R 859	QRE141J-223Y	C RESISTOR	22K 5% 1/4W	
	R 860	QRE141J-223Y	C RESISTOR	22K 5% 1/4W	
	R 861	QRE141J-221Y	C RESISTOR	220 5% 1/4W	
	R 862	QRE141J-221Y	C RESISTOR	220 5% 1/4W	
	R 871	QRE141J-471Y	C RESISTOR	470 5% 1/4W	
	R 872	QRE141J-471Y	C RESISTOR	470 5% 1/4W	
	R 873	QRE141J-682Y	C RESISTOR	6.8K 5% 1/4W	
	R 874	QRE141J-682Y	C RESISTOR	6.8K 5% 1/4W	
	R 875	QRE141J-563Y	C RESISTOR	56K 5% 1/4W	
	R 877	QRE141J-221Y	C RESISTOR	220 5% 1/4W	
	R 878	QRE141J-221Y	C RESISTOR	220 5% 1/4W	
	R 881	QRE141J-431Y	C RESISTOR	430 5% 1/4W	
	R 882	QRE141J-681Y	C RESISTOR	680 5% 1/4W	
	R 883	QRE141J-112Y	C RESISTOR	1.1K 5% 1/4W	
	R 884	QRE141J-222Y	C RESISTOR	2.2K 5% 1/4W	
	R 886	QRE141J-431Y	C RESISTOR	430 5% 1/4W	
	R 887	QRE141J-681Y	C RESISTOR	680 5% 1/4W	
	R 888	QRE141J-112Y	C RESISTOR	1.1K 5% 1/4W	
	R 889	QRE141J-222Y	C RESISTOR	2.2K 5% 1/4W	
	R 890	QRE141J-682Y	C RESISTOR	6.8K 5% 1/4W	
	S 881	QSW0683-001Z	PUSH SW I.M		
	S 882	QSW0683-001Z	PUSH SW I.M		
	S 883	QSW0683-001Z	PUSH SW I.M		
	S 884	QSW0683-001Z	PUSH SW I.M		
	S 885	QSW0683-001Z	PUSH SW I.M		
	S 886	QSW0683-001Z	PUSH SW I.M		
	S 887	QSW0683-001Z	PUSH SW I.M		

△	Item	Parts number	Parts name	Remarks	Area
	S 888	QSW0683-001Z	PUSH SW I.M		
	S 889	QSW0683-001Z	PUSH SW I.M		
	S 890	QSW0683-001Z	PUSH SW I.M		
	S 891	QSW0683-001Z	PUSH SW I.M		
	VR871	QVQ0006-B14	SEMI.V.RESISTOR		
	VR872	QVQ0006-B14	SEMI.V.RESISTOR		

Packing materials and accessories parts list

Block No. M 4 M M

Block No. M 5 M M



■ Packing list

Block No. M4MM

⚠	Item	Parts number	Parts name	Q'ty	Description	Area
	P 1	QPA02503505P	POLY BAG	1	FOR ACCESSORY	
	P 2	QPC06506515P	POLY BAG	1	FOR SET	
	P 3	LV20509-201A	CUSHION (F)	1	FRONT	
	P 4	LV20510-201A	CUSHION (R)	1	REAR	
	P 5	LV20822-025A	CARTON BOX	1		

■ Accessories list

Block No. M5MM

⚠	Item	Parts number	Parts name	Q'ty	Description	Area
	A 1	LVT0521-013A	INST BOOK	1	English	
		LVT0521-014A	INST.BOOK	1	Beijing language	
⚠	A 2	QMP39F0-183E	POWER CORD	1		
⚠	A 3	QAM0112-001	AC PLUG ADAPTER	1		
	A 4	EWP805-014	1P PLUG CORD	1		
	A 5	QAM0004-002	S-VIDEO CORD	1		
	A 6	QAM0218-001	A/V CABLE	1		
	A 7	RM-SXVM567U	REMOCON UNIT	1		
	A 8	-----	BATTERY	2		
	A 9	LV42202-001A	INST SHEET	1		

<<MEMO>>